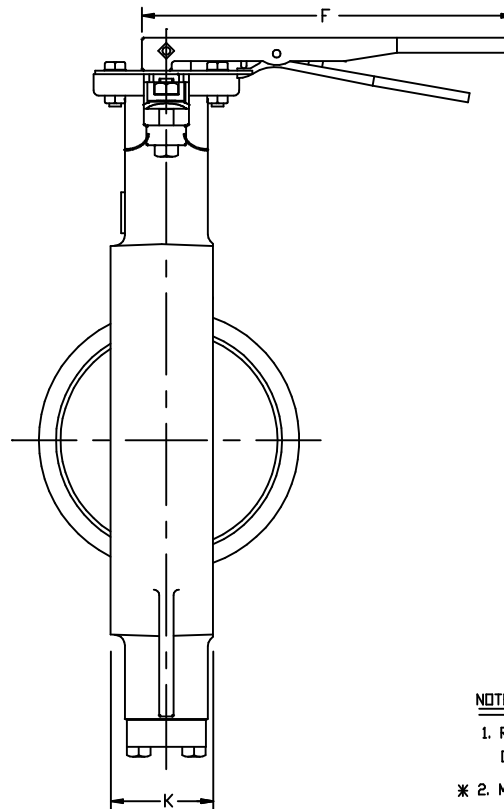
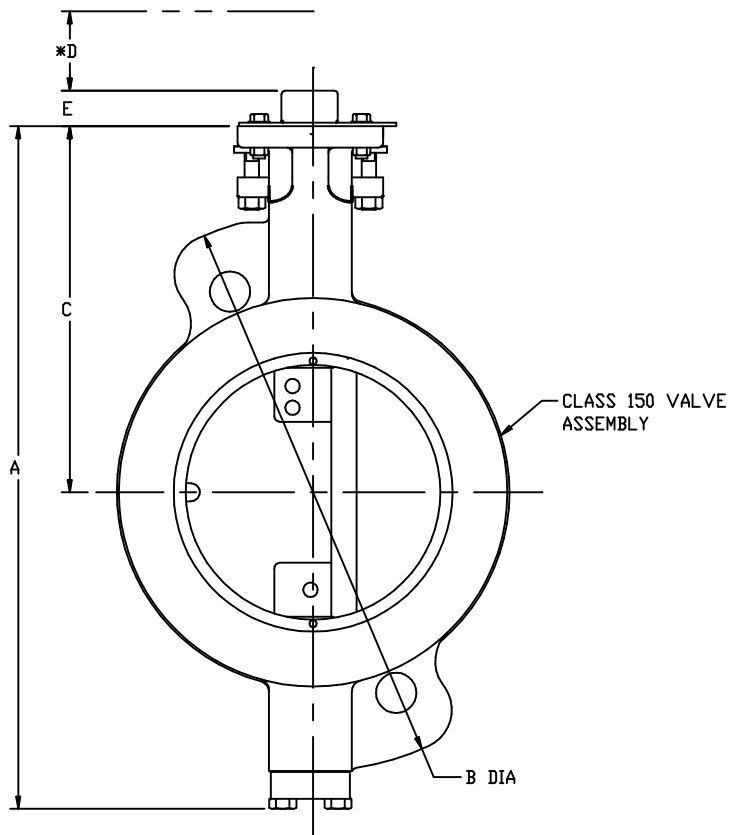


| VALVE DIMENSIONS | | | | | | | | | | | | | ADAPT CODE | | |
|------------------|-------|-----|-------|----|--------|--------|--------------------|-------|-------|-------|------|------|------------|--------|------------|
| (METRIC; MM) | | | | | | | (IMPERIAL; INCHES) | | | | | | | | |
| SIZE | A | B | C | D | K (MS) | K (SD) | ADAPT CODE | SIZE | A | B | C | D | K (MS) | K (SD) | ADAPT CODE |
| 50 | 221.5 | 162 | 125.5 | 38 | 43 | 43 | F-05 | 2 | 8.72 | 6.38 | 4.94 | 1.50 | 1.69 | 1.69 | BBG |
| 65 | 243 | 182 | 137 | 38 | 48 | 46 | F-07 | 2 1/2 | 9.57 | 7.17 | 5.39 | 1.50 | 1.89 | 1.81 | BAC |
| 80 | 263.5 | 200 | 145.5 | 38 | 48 | 46 | F-07 | 3 | 10.37 | 7.87 | 5.73 | 1.50 | 1.89 | 1.81 | BAC |
| 100 | 303.5 | 234 | 170.5 | 38 | 54 | 52 | F-07 | 4 | 11.95 | 9.21 | 6.71 | 1.50 | 2.13 | 2.05 | BAC |
| 125 | 346 | 276 | 185 | 38 | 57 | 56 | F-07 | 5 | 13.62 | 10.87 | 7.28 | 1.50 | 2.24 | 2.20 | BAD |
| 150 | 381.5 | 310 | 203.5 | 38 | 57 | 56 | F-07 | 6 | 15.02 | 12.20 | 8.01 | 1.50 | 2.24 | 2.20 | BAD |
| 200 | 443 | 362 | 239 | 38 | 63.5 | 60 | F-12 | 8 | 17.44 | 14.25 | 9.41 | 1.50 | 2.50 | 2.36 | CAE |



| HANDLE DIMENSIONS | | | | | |
|-------------------|------|-------|--------------------|------|-------|
| (METRIC; MM) | | | (IMPERIAL; INCHES) | | |
| ADAPT. CODE | E | F | ADAPT. CODE | E | F |
| BBG | 38.1 | 266.7 | BBG | 1.50 | 10.50 |
| BAC | 38.1 | 266.7 | BAC | 1.50 | 10.50 |
| BAD | 38.1 | 266.7 | BAD | 1.50 | 10.50 |
| CAE | 38.1 | 355.6 | CAE | 1.50 | 14.00 |

NOTES:

- REFER TO INDIVIDUAL SMD DRAWINGS FOR FURTHER DETAILS OF VALVE, HANDLE AND ADAPTABILITY CODES.
- * 2. MINIMUM CLEARANCE REQUIRED FOR COMPONENT REMOVAL.

| | | | | | | | | | | | |
|-----------------------|------|-------|---------|-------|------|---------------------------------------------------------------------|--|--|--|--|--|
| GRINNELL FLOW CONTROL | | | | | | HIGH PERFORMANCE ANSI CLASS 150 BUTTERFLY VALVE WITH HANDLE (WAFER) | | | | | |
| | | | | | | SM1026 | | | | | |
| 2 | 5899 | ERW | 2/23/00 | KLS | 2/00 | SHEET 1 OF 1 | | | | | |
| NO | ECN | DRAWN | DATE | CHECK | DATE | | | | | | |