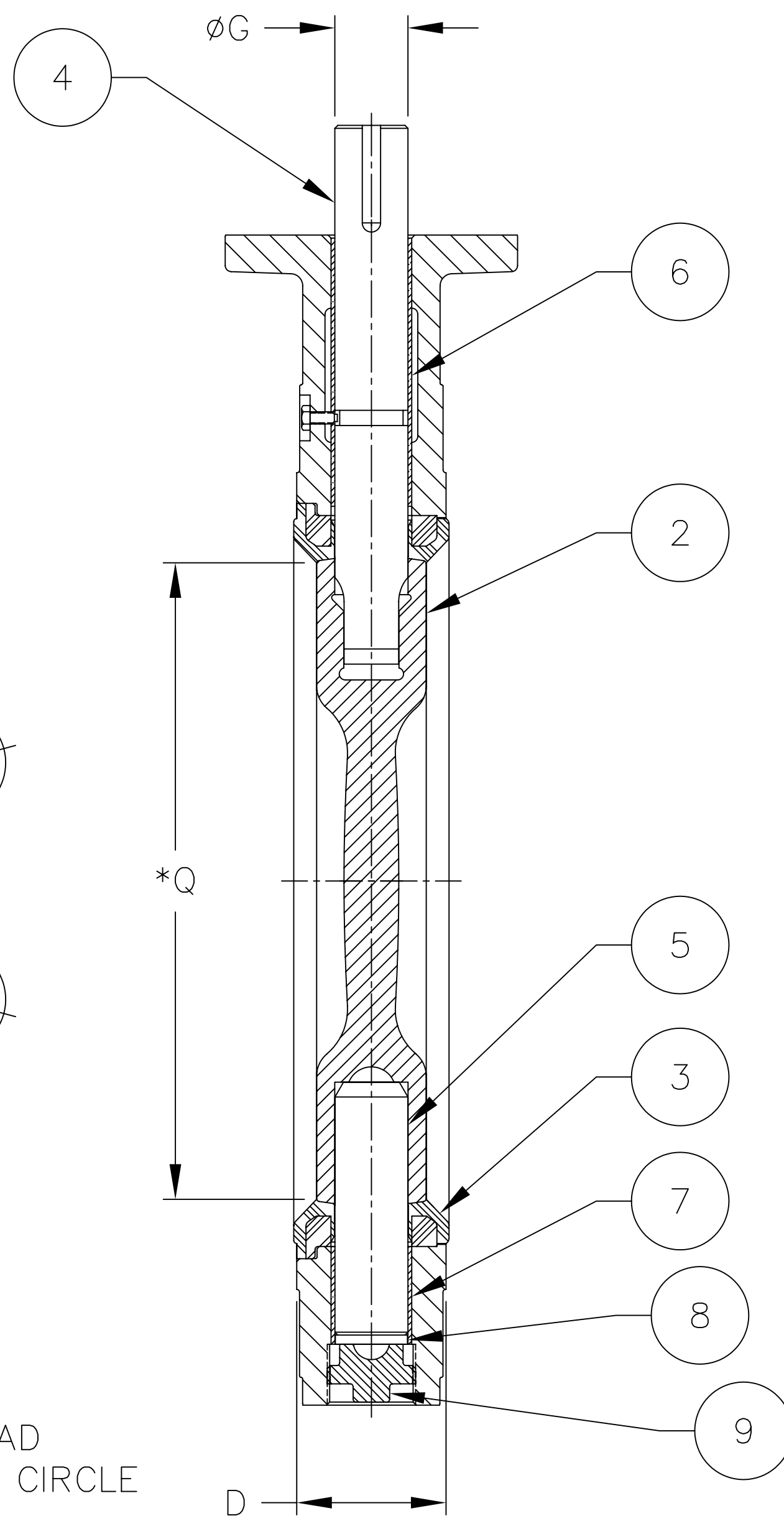
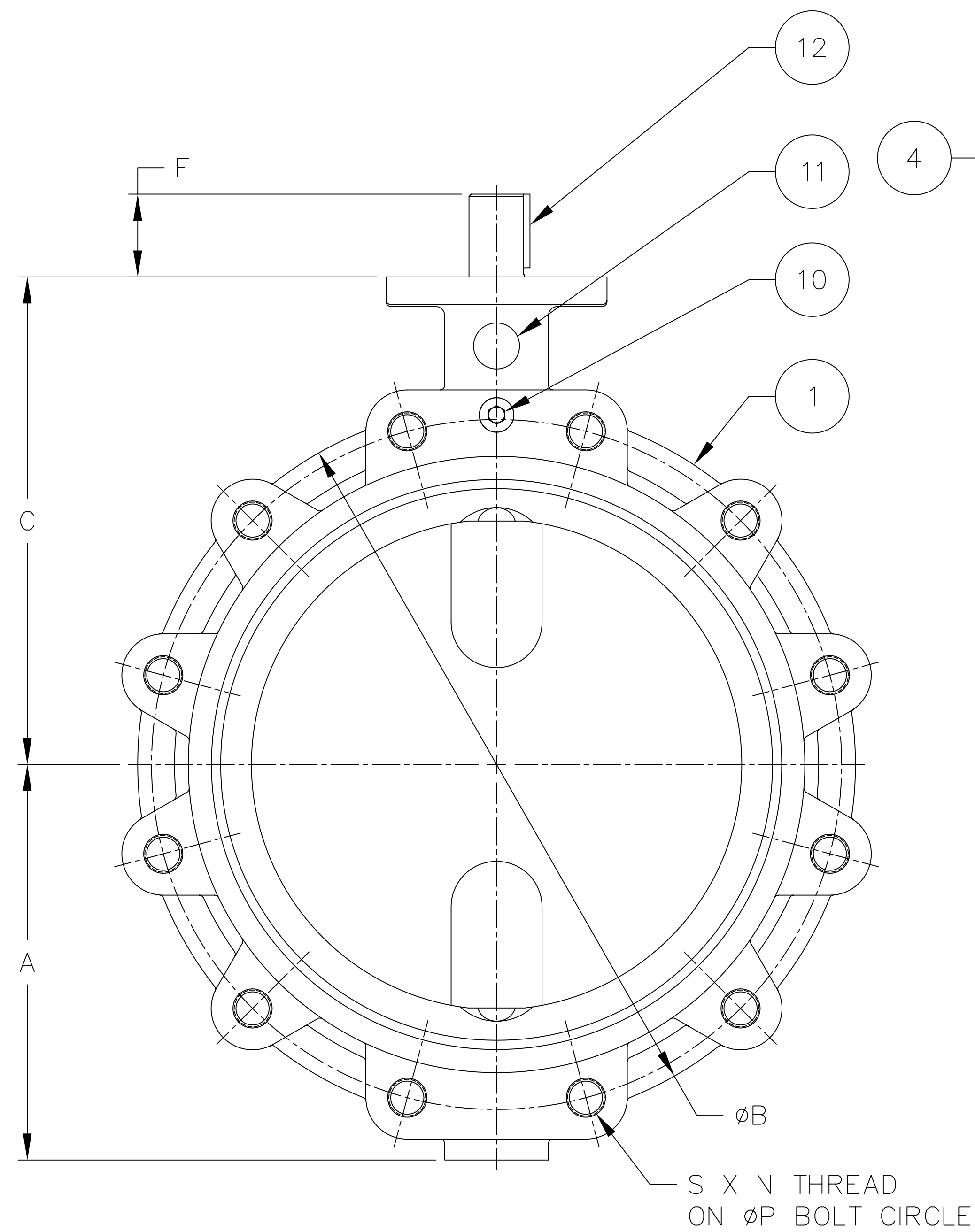


VALVE DIMENSIONS (IMPERIAL: INCHES)

SIZE	A	B	C	D	E	F	G	J	L	N	P	S	Q	KEY	ADAPTABILITY CODE
14	10.75	19.50	13.25	3.06	6.00	3.00	1.38	0.531	5.00	1.00-8	18.75	12	12.97	5/16 X 5/16	CAG
16	12.50	22.06	14.75	4.01	6.00	3.02	1.63	0.531	5.00	1.00-8	21.25	16	14.85	3/8 X 3/8	CAH
18	14.00	23.44	15.75	4.48	6.75	3.02	1.63	0.531	5.00	1-1/8-7	22.75	16	16.76	3/8 X 3/8	CAH
20	15.00	25.68	16.25	4.99	6.75	4.25	1.88	0.812	6.50	1-1/8-7	25.00	20	18.72	1/2 X 3/8	DAJ
24	16.75	30.06	19.12	6.00	8.00	4.25	1.88	0.812	6.50	1-1/4-7	29.50	20	22.59	1/2 X 3/8	DAJ

VALVE DIMENSIONS (METRIC: MM)

SIZE	A	B	C	D	E	F	G	J	L	N	P	S	Q	KEY	ADAPTABILITY CODE
350	273	495.3	336.6	77.7	152.4	76	35	13.49	127	1.00-8	476.3	12	329.4	8 X 8	CAG
400	317.5	560.3	374.7	101.6	152.4	77	41	13.49	127	1.00-8	539.8	16	377.2	10 X 10	CAH
450	355.6	595.4	400.1	113.8	171.5	77	41	13.49	127	1-1/8-7	577.9	16	425.7	10 X 10	CAH
500	381	652.3	412.8	126.7	171.5	108	48	20.62	165.1	1-1/8-7	635	20	475.5	13 X 10	DAJ
600	425.5	763.5	485.6	152.4	203.2	108	48	20.62	165.1	1-1/4-7	749.3	20	573.8	13 X 10	DAJ



NOTES:

*1. "Q" DIMENSION IS THE MINIMUM ALLOWABLE PIPE OR FLANGE INSIDE DIAMETER AT THE CENTERED BODY FACE TO PROTECT THE DISC SEALING EDGE AGAINST DAMAGE WHEN OPENING THE VALVE.

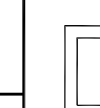
PARTS LIST

ITEM NO.	NAME	NO. REQ'D.	REMARKS
1	BODY	1	
2	DISC	1	
3	LINER ASSEMBLY	1	
4	STEM, UPPER	1	
5	STEM, LOWER	1	
6	BEARING, UPPER	1	
7	BEARING, LOWER	2	
8	BEARING, THRUST	1	
9	PLUG, ADJUSTING	1	
10	SCREW, RETENTION	2	
11	TAG	1	
12	KEY	1	

tyco
valves & controls

GRINNELL FIGURE 802
VALVE ASSEMBLY
14" (350MM) THRU 24" (600MM)

SIZE



SM1257

1	7359	RDB	03/12/07	JB	03/26/07
NO	ECN	DRAWN	DATE	CHECK	DATE

SCALE NTS SHEET 1 OF 1