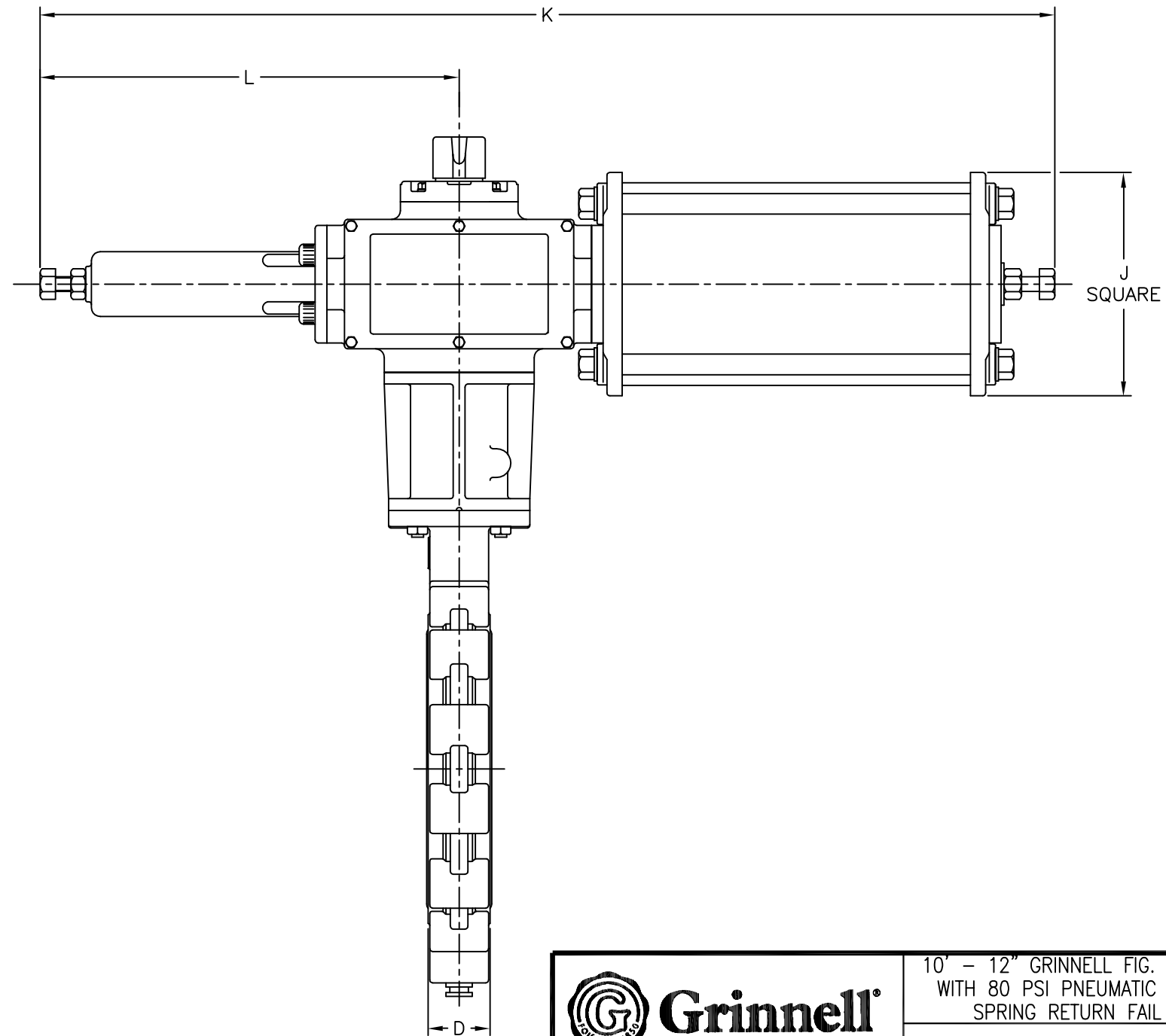
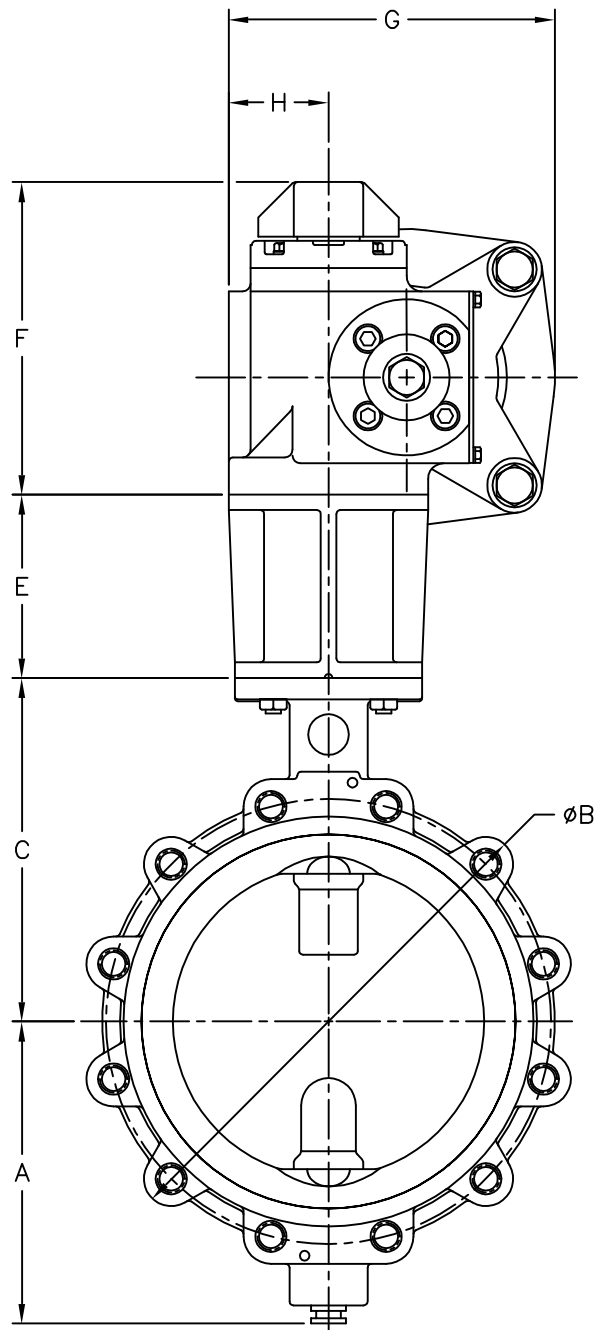



IMPERIAL: INCHES

VALVE DIMENSIONS		MOUNTING BRACKET				ACTUATOR DIMENSIONS							
SIZE	MODEL	A	B	C	D	E	MODEL	F	G	H	J	K	L
10	LD-8975-4	9.38	16.00	11.00	2.63	5.87	B-135U-S080	9.31	10.44	3.19	9.50	42.96	17.63
12	LD-8975-4	10.69	18.75	12.50	3.00	5.87	B-210U-S080	9.31	11.44	3.19	11.50	46.91	18.00



 **Grinnell**
 0 CG 6/03 RB 6/03
 NO DRAWN DATE CHECK DATE

10" - 12" GRINNELL FIG. 802 VALVES
 WITH 80 PSI PNEUMATIC ACTUATORS
 SPRING RETURN FAIL CLOSE

101-802-121

SHEET 1 OF 1