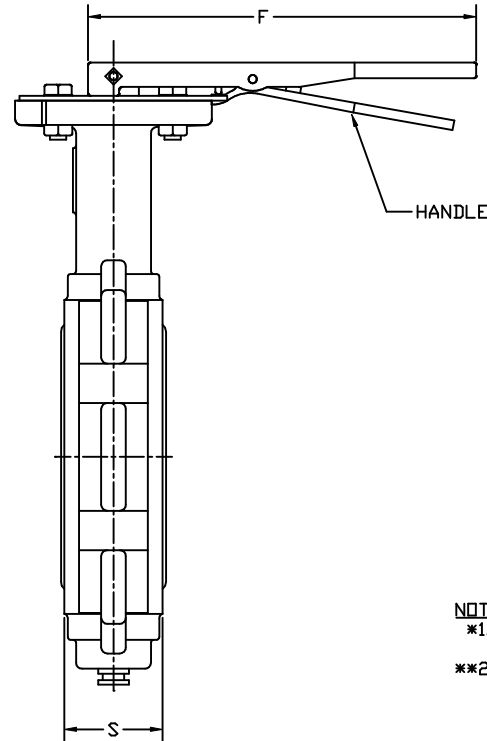
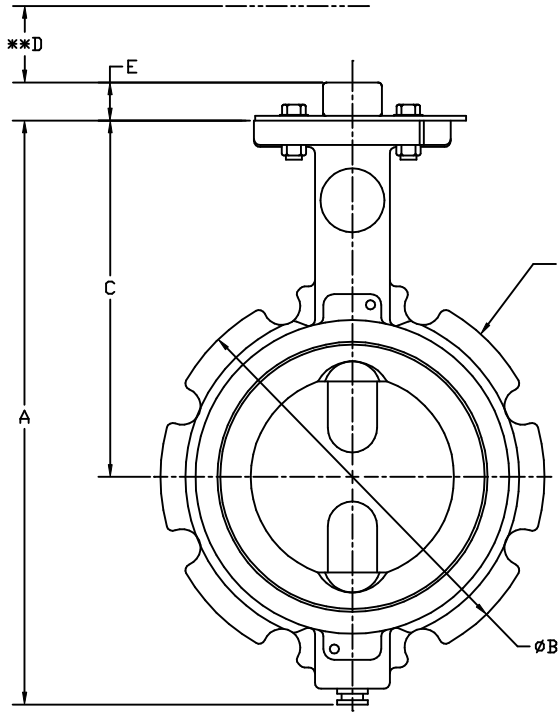


DIMENSIONS (METRIC: MM)													DIMENSIONS (IMPERIAL: INCHES)												
VALVE											HANDLE		VALVE											HANDLE	
SIZE	A	A	A	B	C	C	C	D	S	E	F	SIZE	A	A	A	B	C	C	C	D	S	E	F		
	*	(SS)	(AB)		*	(SS)	(AB)						*	(SS)	(AB)		*	(SS)	(AB)						
50	223.3	196.3	177	129.3	146.1	119.1	99.8	31.8	41.4	38.1	266.7	2	8.79	7.73	6.97	5.09	5.75	4.69	3.93	1.25	1.63	1.50	10.50		
65	241.3	-	196.9	147.6	158.8	-	114.3	31.8	44.5	38.1	266.7	2-1/2	9.50	-	7.75	5.81	6.25	-	4.50	1.25	1.75	1.50	10.50		
80	255	213.6	213.6	158.8	165.1	123.7	123.7	31.8	44.5	38.1	266.7	3	10.04	8.41	8.41	6.25	6.50	4.87	4.87	1.25	1.75	1.50	10.50		
100	301.8	270	270	198.4	184.2	152.4	152.4	31.8	50.8	38.1	266.7	4	11.88	10.63	10.63	7.81	7.25	6.00	6.00	1.25	2.00	1.50	10.50		
125	341.4	-	296.9	222.3	198.9	-	152.4	31.8	53.8	38.1	266.7	5	13.44	-	11.69	8.75	7.75	-	6.00	1.25	2.12	1.50	10.50		
150	374.7	326.9	326.9	247.7	212.9	165.1	165.1	31.8	54.4	38.1	266.7	6	14.75	12.87	12.87	9.75	8.38	6.50	6.50	1.25	2.14	1.50	10.50		
200	446	412.8	412.8	304.8	244.3	211.1	211.1	44.5	59.7	38.1	381	8	17.56	16.25	16.25	12.00	9.62	8.31	8.31	1.75	2.35	1.50	15.00		
250	517.7	479.6	466.9	368.3	279.4	241.3	228.6	44.5	66.8	38.1	381	10	20.38	18.88	18.38	14.50	11.00	9.50	9.00	1.75	2.63	1.50	15.00		
300	589	545.3	532.6	444.5	317.5	273.8	261.1	44.5	76.2	38.1	381	12	23.19	21.47	20.97	17.50	12.50	10.78	10.28	1.75	3.00	1.50	15.00		



NOTES:

- *1. DIMENSIONS APPLY TO CAST IRON AND DUCTILE IRON BODIES ONLY.
- **2. MINIMUM CLEARANCE REQUIRED FOR COVER OR COMPONENT REMOVAL.

Grinnell

0	5864	ERW	01/31/01	JS	01/01
NO	ECN	DRAWN	DATE	CHECK	DATE

FIGURE 801 VALVE ASSEMBLY WITH HANDLE

SM1252

SHEET 1 OF 1