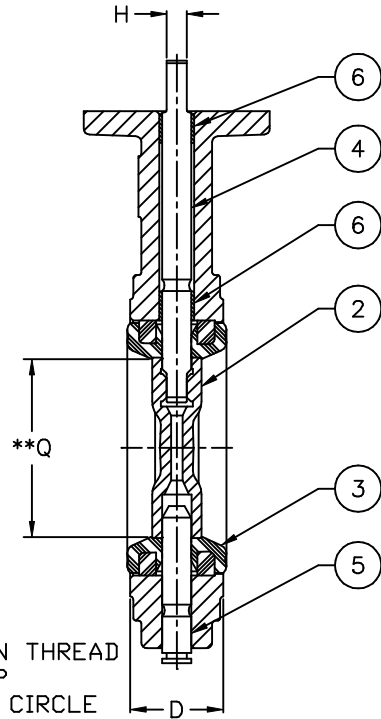


S X N THREAD
ON ØP
BOLT CIRCLE



VALVE DIMENSIONS (IMPERIAL: INCHES)

SIZE	A	B	C *	C (SS)	C (AB)	D	E	F	G	H	J	L	M	N	P	S	Q
2	3.04	5.09	5.75	4.69	3.93	1.63	4.00	1.09	0.56	0.43	0.406	3.00	3.25	.625-11	4.75	4	1.41
2½	3.25	5.81	6.25	-	4.50	1.75	4.00	1.09	0.56	0.43	0.406	3.00	3.25	.625-11	5.50	4	1.82
3	3.54	6.25	6.50	4.87	4.87	1.75	4.00	1.09	0.56	0.43	0.406	3.00	3.25	.625-11	6.00	4	2.62
4	4.63	7.81	7.25	6.00	6.00	2.00	4.00	1.09	0.62	0.43	0.406	3.00	3.25	.625-11	7.50	8	3.62
5	5.69	8.75	7.75	-	6.00	2.12	4.00	1.09	0.87	0.43	0.406	3.00	3.25	.750-10	8.50	8	4.67
6	6.37	9.75	8.38	6.50	6.50	2.14	4.00	1.09	1.00	0.43	0.406	3.00	3.25	.750-10	9.50	8	5.68
8	7.94	12.00	9.62	8.31	8.31	2.35	6.00	1.62	1.12	0.75	0.562	5.00	-	.750-10	11.75	8	7.54
10	9.38	14.50	11.00	9.50	9.00	2.63	6.00	1.62	1.12	0.75	0.562	5.00	-	.875-9	14.25	12	9.65
12	10.69	17.50	12.50	10.78	10.28	3.00	6.00	1.62	1.12	0.75	0.562	5.00	-	.875-9	17.00	12	11.49

NOTES:

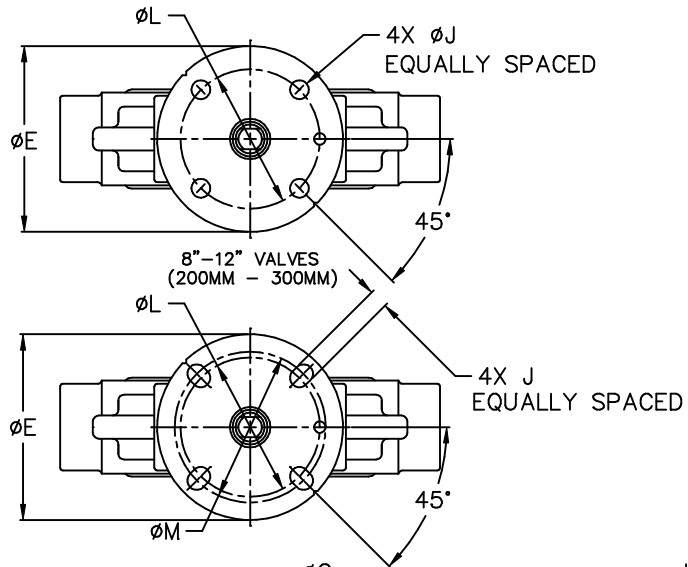
- *1. DIMENSIONS APPLY TO CAST IRON AND DUCTILE IRON BODIES ONLY.
- **2. "Q" DIMENSION IS THE MINIMUM ALLOWABLE PIPE OR FLANGE INSIDE DIAMETER AT THE CENTERED BODY FACE TO PROTECT THE DISC SEALING EDGE AGAINST DAMAGE WHEN OPENING THE VALVE.

PARTS LIST

ITEM NO.	NAME	NO. REQ'D	REMARKS
1	BODY	1	
2	DISC	1	
3	LINER ASSEMBLY	1	
4	STEM, UPPER	1	
5	STEM, LOWER	1	
6	BEARING	1	
7	PIN, RETENTION	2	
8	TAG	1	

0	5864	ERW	01/31/01	JS	01/01
NO	ECN	DRAWN	DATE	CHECK	DATE

FIGURE 802
VALVE ASSEMBLY
2' (50MM) THRU 12' (300MM)
SM1251
SHEET 1 OF 2

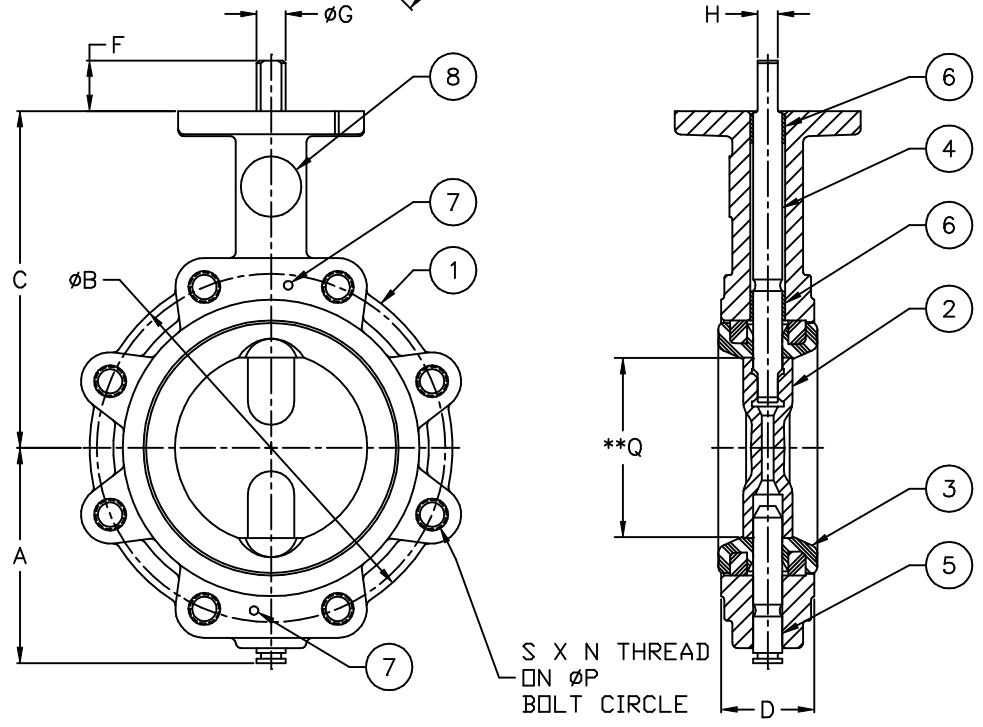


VALVE DIMENSIONS (METRIC: MM)

SIZE	A	B	C *	C (SS)	C (AB)	D	E	F	G	H	J	L	M	N	P	S	Q
50	77.2	129.3	146	119.1	99.8	41.4	101.6	27.7	14.2	10.9	10.3	76.2	82.6	.625-11	120.6	4	35.8
65	82.6	147.6	158.8	-	114.3	44.5	101.6	27.7	14.2	10.9	10.3	76.2	82.6	.625-11	139.7	4	46.2
80	89.9	158.8	165.1	123.7	123.7	44.5	101.6	27.7	14.2	10.9	10.3	76.2	82.6	.625-11	152.4	4	66.5
100	117.6	198.4	184.2	152.4	152.4	50.8	101.6	27.7	15.8	10.9	10.3	76.2	82.6	.625-11	190.5	8	91.9
125	144.5	222.3	196.9	-	152.4	53.8	101.6	27.7	22.1	10.9	10.3	76.2	82.6	.750-10	215.9	8	118.6
150	161.8	247.7	212.9	165.1	165.1	54.4	101.6	27.7	25.4	10.9	10.3	76.2	82.6	.750-10	241.3	8	144.3
200	201.7	304.8	244.3	211.1	211.1	59.7	152.4	41.2	28.4	19.1	14.3	127	-	.750-10	298.5	8	191.5
250	238.3	368.3	279.4	241.3	228.6	66.8	152.4	41.2	28.4	19.1	14.3	127	-	.875-9	362	12	245.1
300	271.5	444.5	317.5	273.8	261.1	76.2	152.4	41.2	28.4	19.1	14.3	127	-	.875-9	431.8	12	291.8

NOTES:

- *1. DIMENSIONS APPLY TO CAST IRON AND DUCTILE IRON BODIES ONLY.
- ** 2. "Q" DIMENSION IS THE MINIMUM ALLOWABLE PIPE OR FLANGE INSIDE DIAMETER AT THE CENTERED BODY FACE TO PROTECT THE DISC SEALING EDGE AGAINST DAMAGE WHEN OPENING THE VALVE.



PARTS LIST

ITEM NO.	NAME	NO. REQ'D	REMARKS
1	BODY	1	
2	DISC	1	
3	LINER ASSEMBLY	1	
4	STEM, UPPER	1	
5	STEM, LOWER	1	
6	BEARING	1	
7	PIN, RETENTION	2	
8	TAG	1	



FIGURE 802
VALVE ASSEMBLY
2' (50MM) THRU 12' (300MM)

SM1251

0	5864	ERW	01/31/01	JS	01/01
NO	ECN	DRAWN	DATE	CHECK	DATE