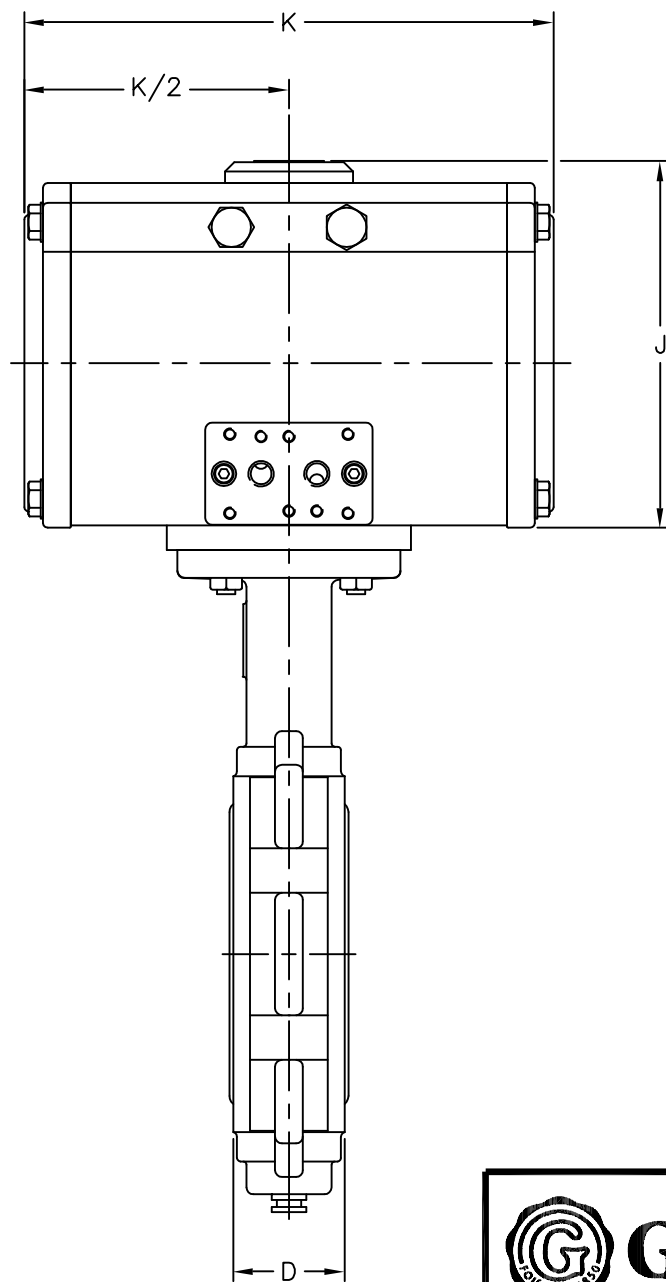
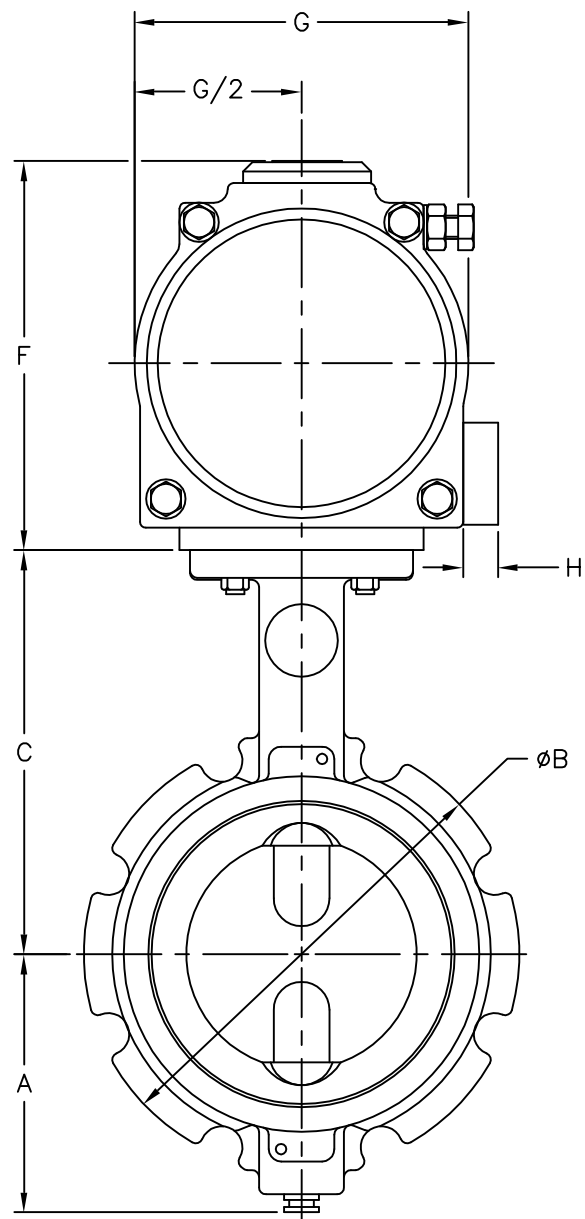



| IMPERIAL: INCHES | | | | | | | | | | | | |
|------------------|-----------|------|-------|------|------|--------------|---------------------|------|------|-----|------|-------|
| VALVE DIMENSIONS | | | | | | MOUNTING | ACTUATOR DIMENSIONS | | | | | |
| SIZE | MODEL | A | B | C | D | DIRECT MOUNT | MODEL | F | G | H | J | K |
| 2 | WD-8975-4 | 3.04 | 5.09 | 5.75 | 1.63 | N/A | GRP-004U-S080 | 4.08 | 3.03 | .63 | 3.68 | 6.46 |
| 2-1/2 | WD-8975-4 | 3.25 | 5.81 | 6.25 | 1.75 | N/A | GRP-009U-S080 | 5.20 | 4.18 | .63 | 4.81 | 7.67 |
| 3 | WD-8975-4 | 3.54 | 6.25 | 6.50 | 1.75 | N/A | GRP-009U-S080 | 5.20 | 4.18 | .63 | 4.81 | 7.67 |
| 4 | WD-8975-4 | 4.63 | 7.81 | 7.25 | 2.00 | N/A | GRP-025U-S080 | 6.83 | 5.65 | .63 | 6.44 | 9.53 |
| 5 | WD-8975-4 | 5.69 | 8.75 | 7.75 | 2.12 | N/A | GRP-025U-S080 | 6.83 | 5.65 | .63 | 6.44 | 9.53 |
| 6 | WD-8975-4 | 6.37 | 9.75 | 8.38 | 2.14 | N/A | GRP-037U-S080 | 7.66 | 6.44 | .63 | 7.27 | 11.23 |
| 8 | WD-8975-4 | 7.94 | 12.00 | 9.62 | 2.35 | N/A | GRP-070U-S080 | 9.45 | 8.07 | .63 | 9.06 | 15.51 |



| | | | | | | |
|--|-------|------|-------|------|---|--|
|  Grinnell <small>FOUNDED 1850</small> | | | | | 2" - 8" GRINNELL FIG. 801 VALVES WITH 80 PSI PNEUMATIC ACTUATORS SPRING RETURN FAIL CLOSE | |
| | | | | | 101-801-120 | |
| 0 | CG | 6/03 | RB | 6/03 | SHEET 1 OF 1 | |
| NO | DRAWN | DATE | CHECK | DATE | | |