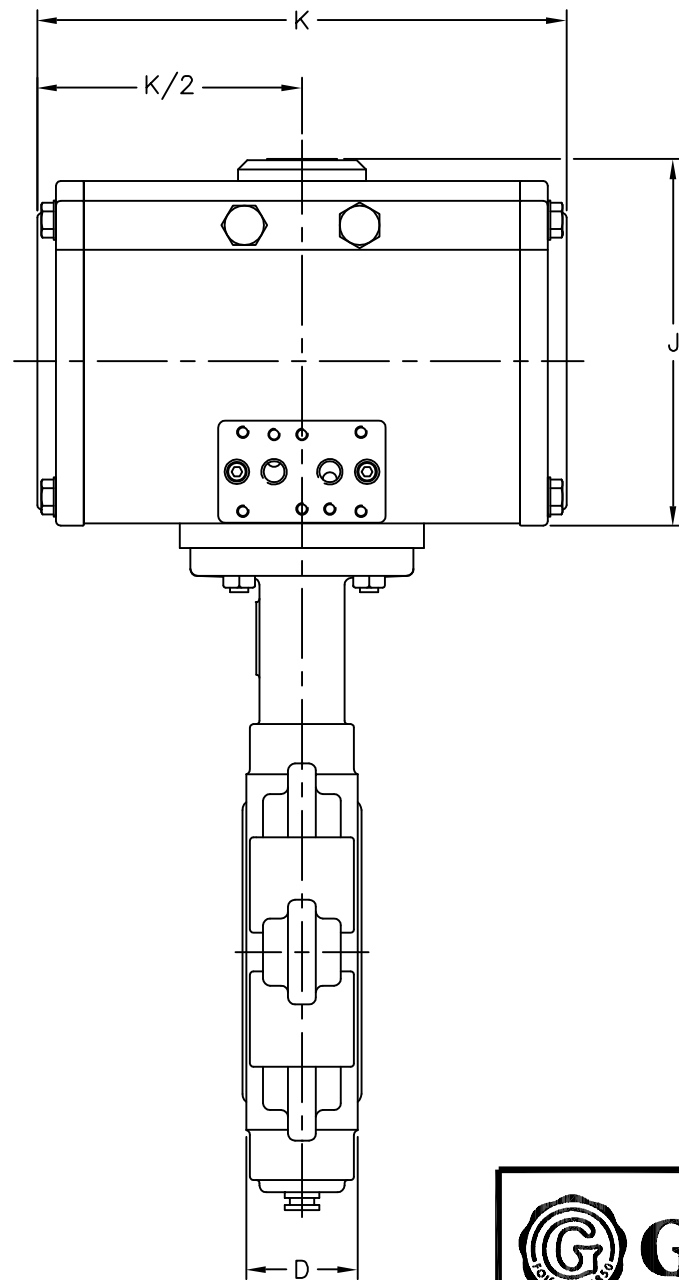
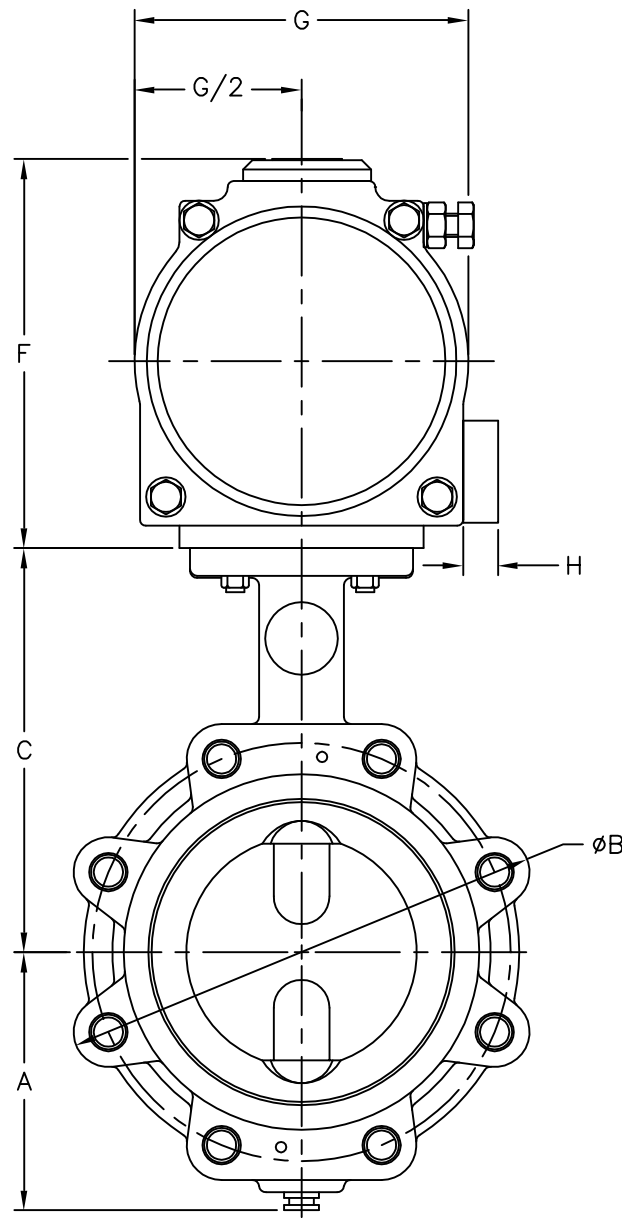



IMPERIAL: INCHES												
VALVE DIMENSIONS						MOUNTING	ACTUATOR DIMENSIONS					
SIZE	MODEL	A	B	C	D	DIRECT MOUNT	MODEL	F	G	H	J	K
2	LD-8975-4	3.04	6.00	5.75	1.63	N/A	GRP-004U-S080	4.08	3.03	.63	3.68	6.46
2-1/2	LD-8975-4	3.25	6.75	6.25	1.75	N/A	GRP-009U-S080	5.20	4.18	.63	4.81	7.67
3	LD-8975-4	3.54	7.25	6.50	1.75	N/A	GRP-009U-S080	5.20	4.18	.63	4.81	7.67
4	LD-8975-4	4.63	8.75	7.25	2.00	N/A	GRP-025U-S080	6.83	5.65	.63	6.44	9.53
5	LD-8975-4	5.69	10.00	7.75	2.12	N/A	GRP-025U-S080	6.83	5.65	.63	6.44	9.53
6	LD-8975-4	6.37	11.00	8.38	2.14	N/A	GRP-037U-S080	7.66	6.44	.63	7.27	11.23
8	LD-8975-4	7.94	13.37	9.62	2.35	N/A	GRP-070U-S080	9.45	8.07	.63	9.06	15.51




**Grinnell**  
 0 CG 6/03 RB 6/03  
 NO DRAWN DATE CHECK DATE

2" - 8" GRINNELL FIG. 802 VALVES  
 WITH 80 PSI PNEUMATIC ACTUATORS  
 SPRING RETURN FAIL CLOSE  
 101-802-120  
 SHEET 1 OF 1