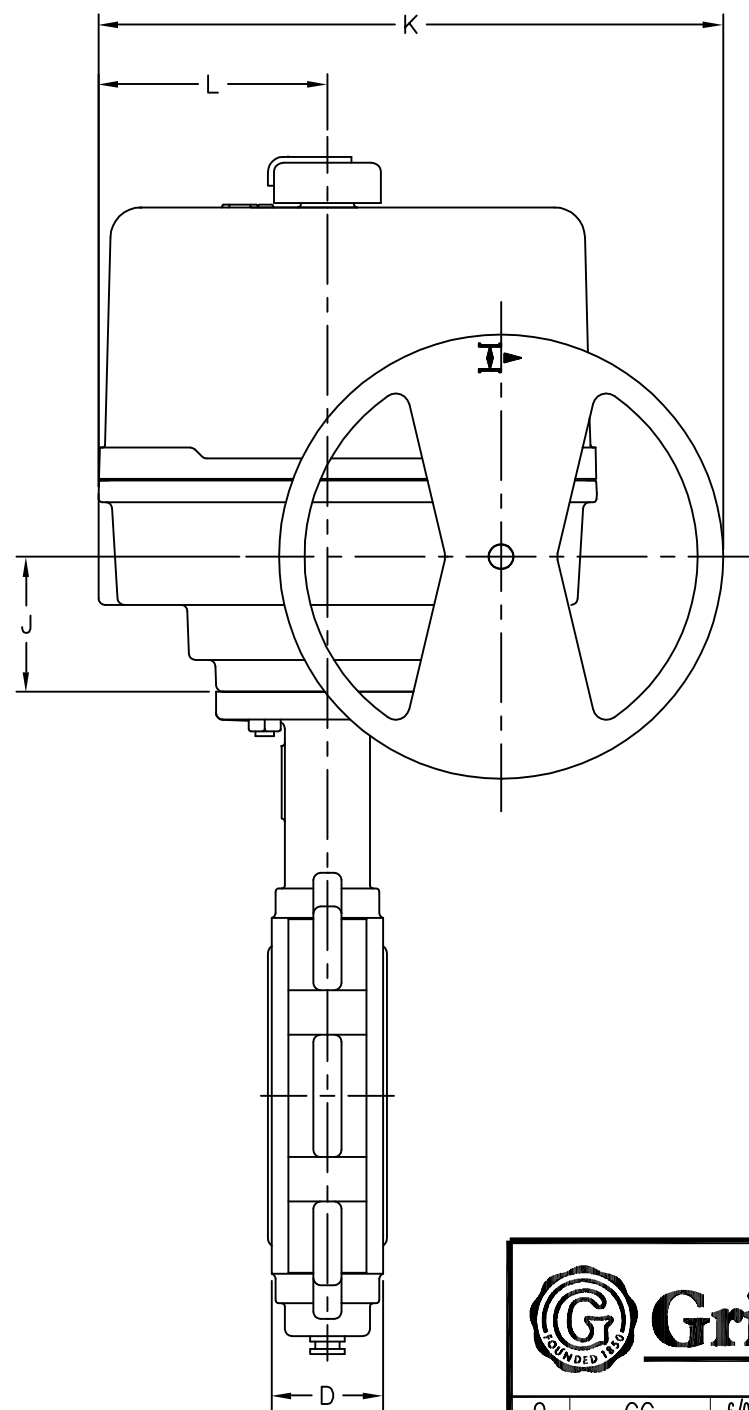
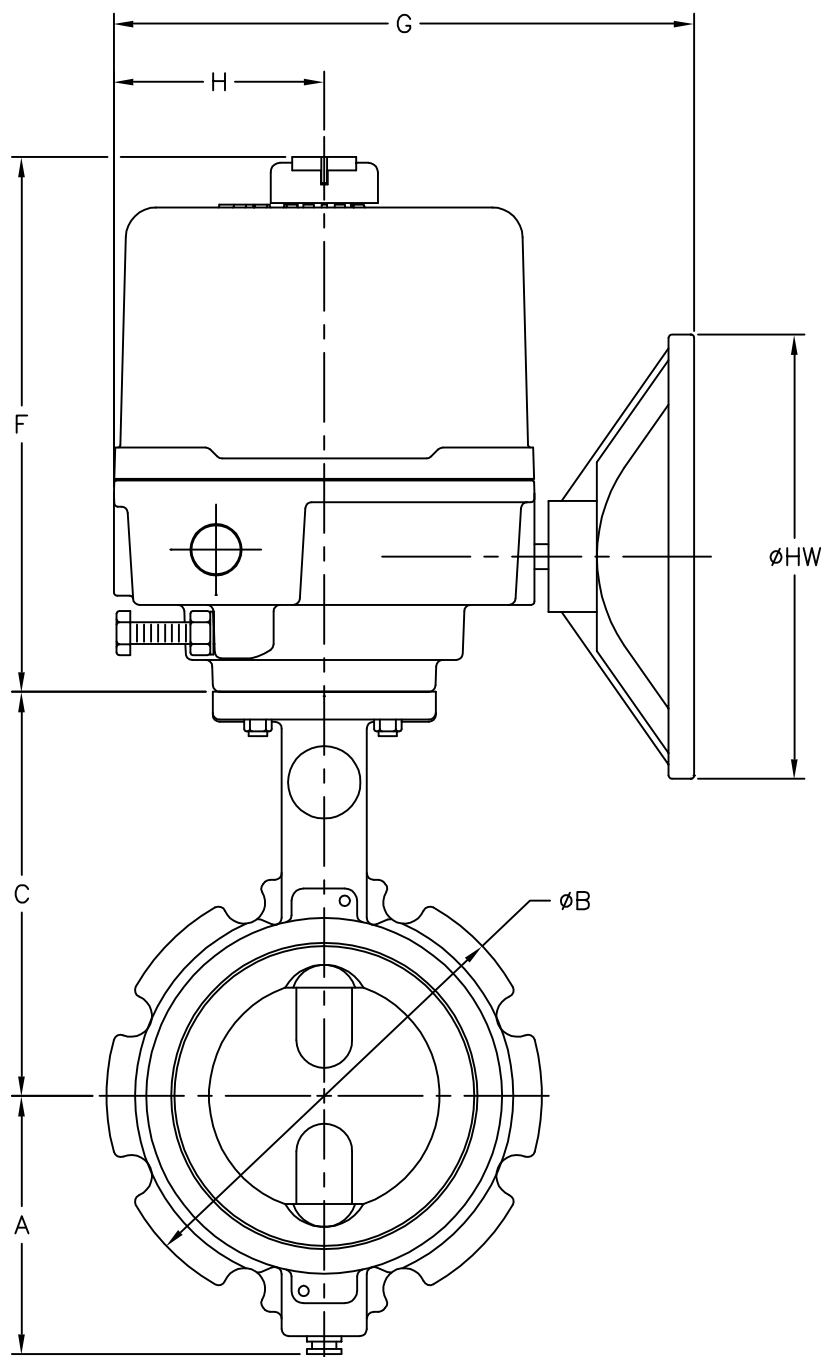



IMPERIAL: INCHES

VALVE DIMENSIONS						MOUNTING	ACTUATOR DIMENSIONS							
SIZE	MODEL	A	B	C	D	DIRECT MOUNT	MODEL	F	G	H	HW	J	K	L
2	WD-8974-4	3.04	5.09	5.75	1.63	N/A	GSE-3	7.72	7.63	2.88	5.00	2.19	7.82	2.88
2-1/2	WD-8974-4	3.25	5.81	6.25	1.75	N/A	GSE-3	7.72	7.63	2.88	5.00	2.19	7.82	2.88
3	WD-8974-4	3.54	6.25	6.50	1.75	N/A	GSE-6	9.63	10.54	3.78	8.00	2.43	11.24	4.11
4	WD-8974-4	4.63	7.81	7.25	2.00	N/A	GSE-6	9.63	10.54	3.78	8.00	2.43	11.24	4.11
5	WD-8974-4	5.69	8.75	7.75	2.12	N/A	GSE-13	9.63	10.54	3.78	8.00	2.43	11.24	4.11
6	WD-8974-4	6.37	9.75	8.38	2.14	N/A	GSE-13	9.63	10.54	3.78	8.00	2.43	11.24	4.11
8	WD-8974-4	7.94	12.00	9.62	2.35	N/A	GSE-36	12.96	12.51	4.51	12.00	3.93	14.92	4.61
10	WD-8974-4	9.38	14.50	11.00	2.63	N/A	GSE-51	12.96	12.51	4.51	12.00	3.93	14.92	4.61



 **Grinnell**  
FOUNDED 1850

0	CG	6/03	RB	6/03
NO	DRAWN	DATE	CHECK	DATE

2" - 10" GRINNELL FIG. 801 VALVES  
 WITH ELECTRIC ACTUATORS  
 DIRECT MOUNT

101-801-122

SHEET 1 OF 1