

VALVE DIMENSIONS (IMPERIAL: INCHES)

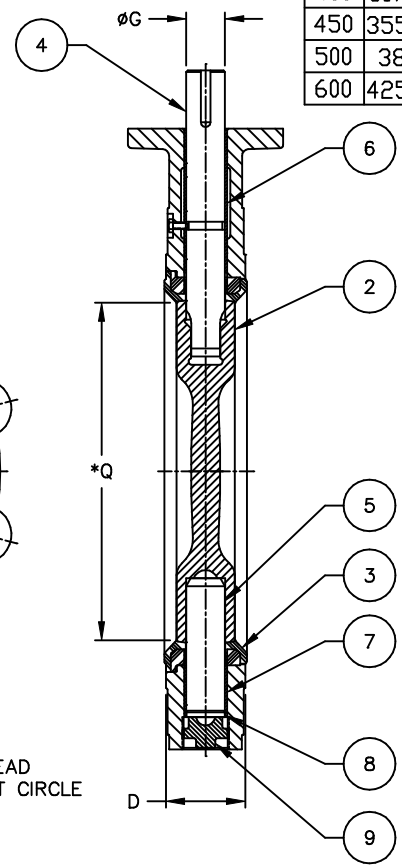
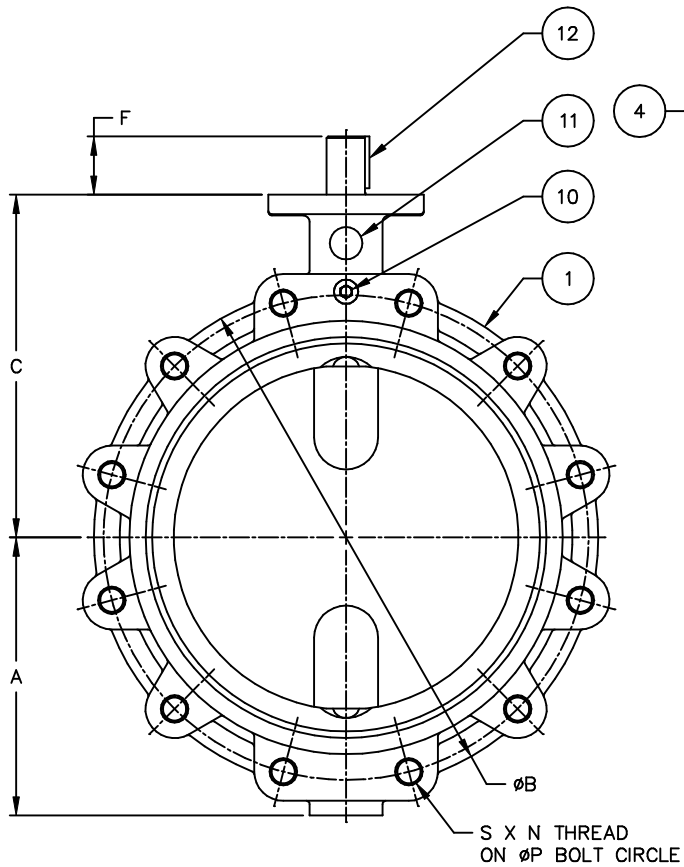
SIZE	A	B	C	D	E	F	G	J	L	N	P	S	Q	KEY
14	10.75	19.50	13.25	3.06	6.00	2.25	1.50	0.531	5.00	1.00-8	18.75	12	12.97	3/8 X 3/8
16	12.50	22.06	14.75	4.01	6.00	2.25	1.50	0.531	5.00	1.00-8	21.25	16	14.85	3/8 X 3/8
18	14.00	23.44	15.75	4.48	6.75	3.00	1.75	0.531	5.00	1-1/8-7	22.75	16	16.76	3/8 X 3/8
20	15.00	25.68	16.25	4.99	6.75	3.00	1.75	0.531	5.00	1-1/8-7	25.00	20	18.72	3/8 X 3/8
24	16.75	30.06	19.12	6.00	8.00	3.50	2.25	0.812	6.50	1-1/4-7	29.50	20	22.59	1/2 X 1/2

VALVE DIMENSIONS (METRIC: MM)

SIZE	A	B	C	D	E	F	G	J	L	N	P	S	Q	KEY
350	273	495.3	336.6	77.7	152.4	57.2	38.1	13.49	127	1.00-8	476.3	12	329.4	9.5 X 9.5
400	317.5	560.3	374.7	101.6	152.4	57.2	38.1	13.49	127	1.00-8	539.8	16	377.2	9.5 X 9.5
450	355.6	595.4	400.1	113.8	171.5	76.2	44.5	13.49	127	1-1/8-7	577.9	16	425.7	9.5 X 9.5
500	381	652.3	412.8	126.7	171.5	76.2	44.5	13.49	127	1-1/8-7	635	20	475.5	9.5 X 9.5
600	425.5	763.5	485.6	152.4	203.2	88.9	57.2	20.62	165.1	1-1/4-7	749.3	20	573.8	12.7 X 12.7

NOTES:

*1. "Q" DIMENSION IS THE MINIMUM ALLOWABLE PIPE OR FLANGE INSIDE DIAMETER AT THE CENTERED BODY FACE TO PROTECT THE DISC SEALING EDGE AGAINST DAMAGE WHEN OPENING THE VALVE.



PARTS LIST

ITEM NO.	NAME	NO. REQ'D	REMARKS
1	BODY	1	
2	DISC	1	
3	LINER ASSEMBLY	1	
4	STEM, UPPER	1	
5	STEM, LOWER	1	
6	BEARING, UPPER	1	
7	BEARING, LOWER	2	
8	BEARING, THRUST	1	
9	PLUG, ADJUSTING	1	
10	SCREW, RETENTION	2	
11	TAG	1	
12	KEY	1	



FIGURE 802
VALVE ASSEMBLY
14" (350MM) THRU 24" (600MM)

SM1257

0	5864	ERW	01/31/01	JS	01/01
NO	ECN	DRAWN	DATE	CHECK	DATE