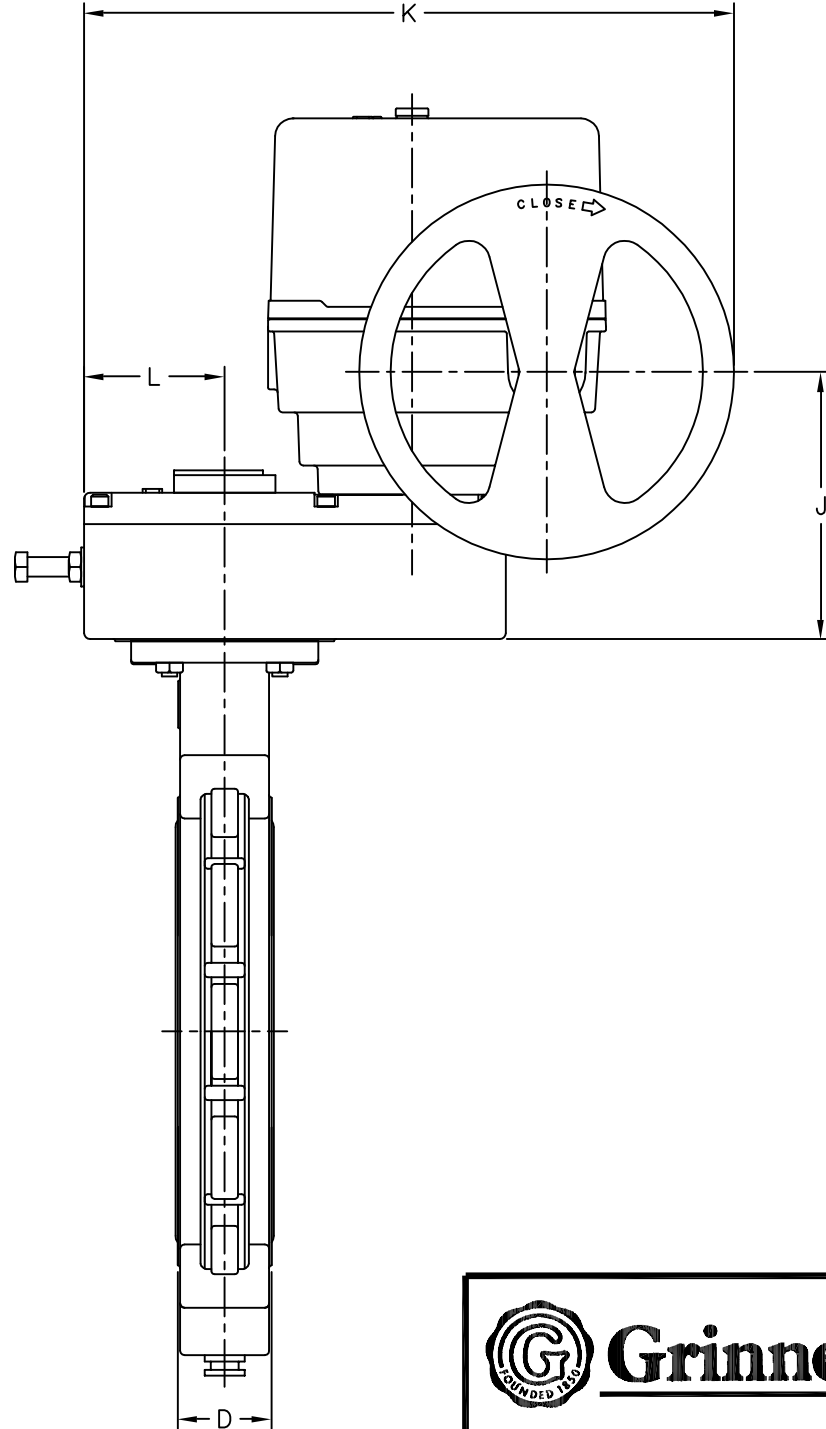
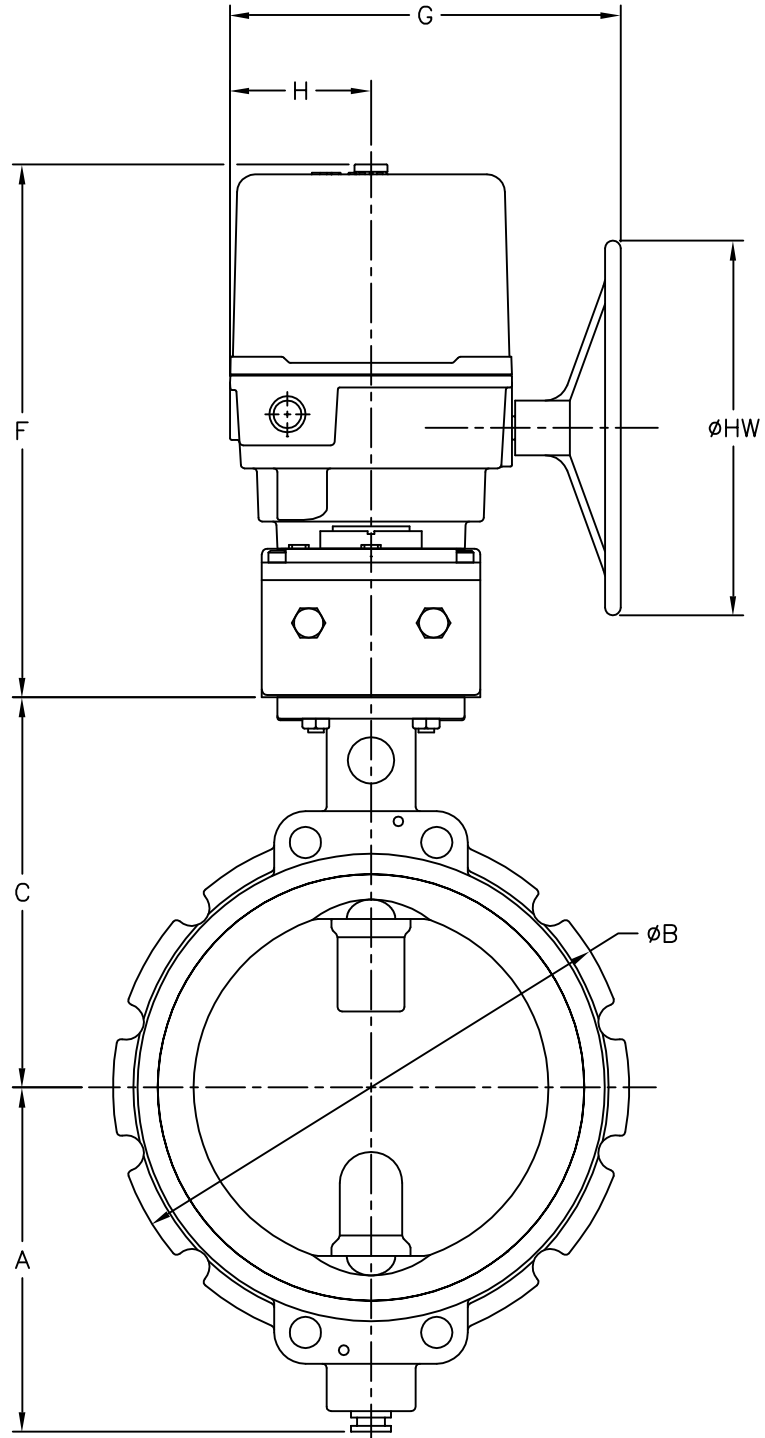



IMPERIAL: INCHES															
VALVE DIMENSIONS						MOUNTING		ACTUATOR DIMENSIONS							
SIZE	MODEL	A	B	C	D	DIRECT MOUNT		MODEL	F	G	H	HW	J	K	L
12	WD-8974-4	10.69	17.50	12.50	3.00	N/A		GSE-91	17.13	12.51	4.51	12.00	8.62	20.80	4.49



 Grinnell					12" GRINNELL FIG. 801 VALVES WITH ELECTRIC ACTUATORS DIRECT MOUNT				
					101-801-123				
0	CG	6/03	RB	6/03	SHEET 1 OF 1				
NO	DRAWN	DATE	CHECK	DATE					