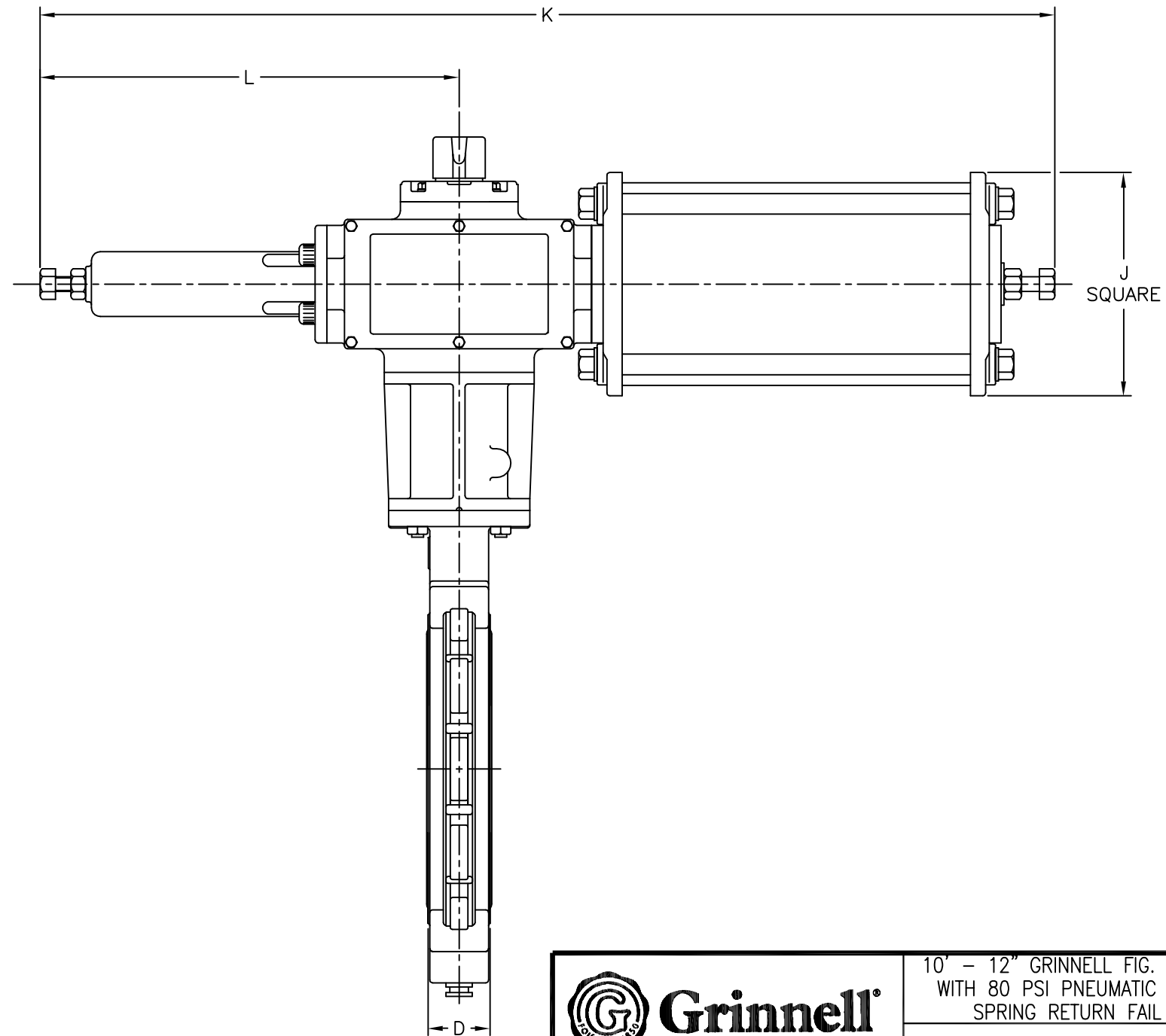
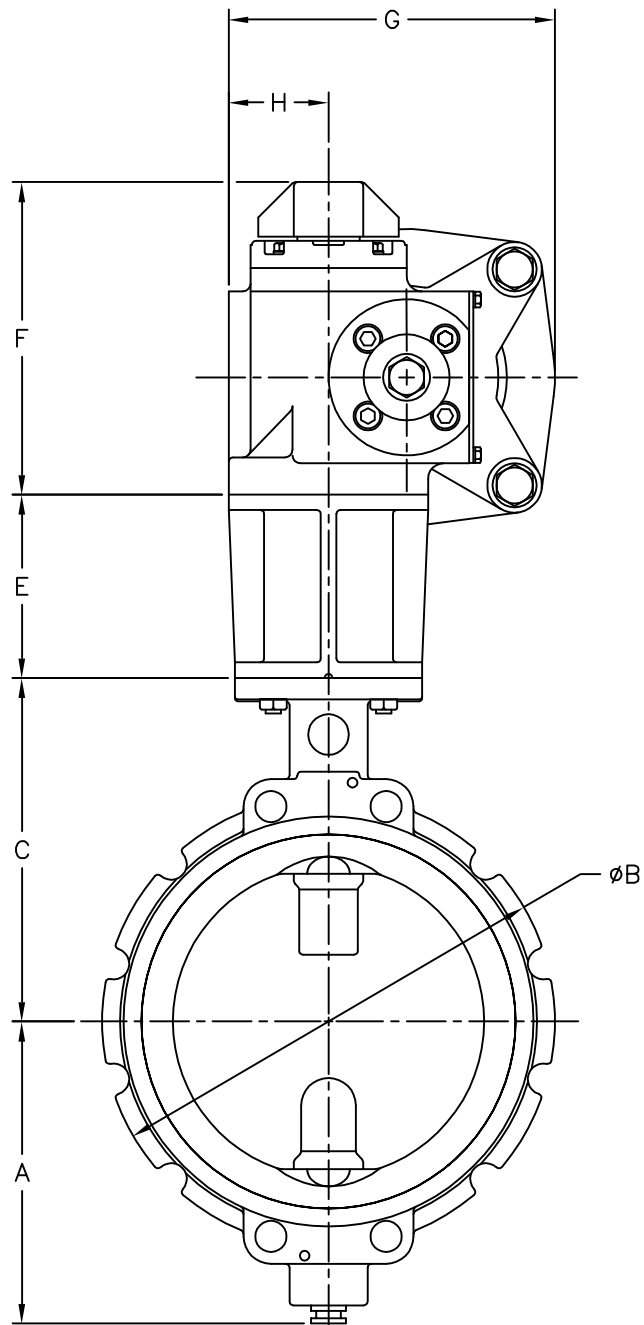



IMPERIAL: INCHES

VALVE DIMENSIONS		MOUNTING BRACKET				ACTUATOR DIMENSIONS							
SIZE	MODEL	A	B	C	D	E	MODEL	F	G	H	J	K	L
10	WD-8975-4	9.38	14.50	11.00	2.63	5.87	B-135U-S080	9.31	10.44	3.19	9.50	42.96	17.63
12	WD-8975-4	10.69	17.50	12.50	3.00	5.87	B-210U-S080	9.31	11.44	3.19	11.50	46.91	18.00



 **Grinnell**
FOUNDED 1850

0	CG	6/03	RB	6/03
NO	DRAWN	DATE	CHECK	DATE

10" - 12" GRINNELL FIG. 801 VALVES
 WITH 80 PSI PNEUMATIC ACTUATORS
 SPRING RETURN FAIL CLOSE

101-801-121

SHEET 1 OF 1