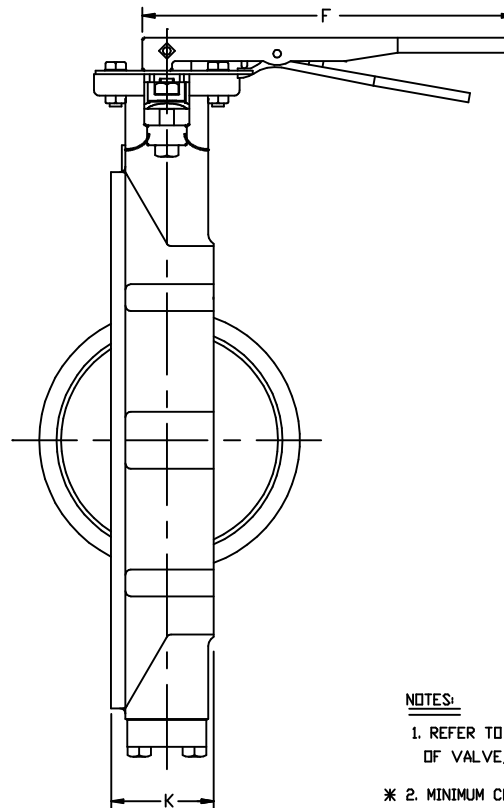
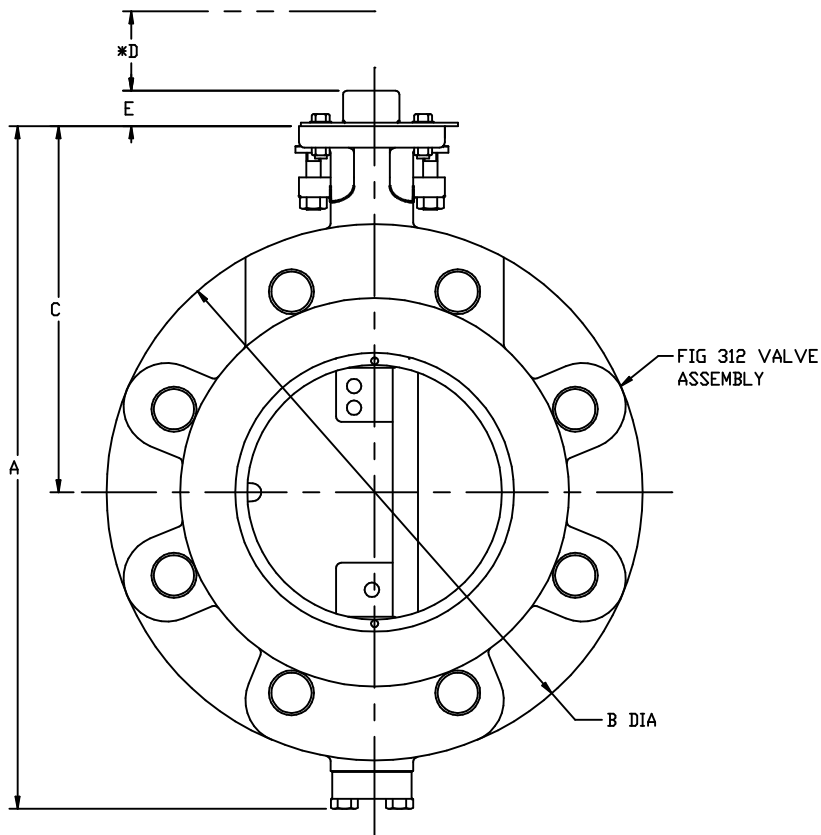


VALVE DIMENSIONS														ADAPT CODE	
(METRIC; MM)							(IMPERIAL; INCHES)								
SIZE	A	B	C	D	K (MSS)	K (DSD)	ADAPT CODE	SIZE	A	B	C	D	K (MSS)	K (DSD)	
50	221.5	158.8	125.5	38	43	43	F-05	2	8.72	6.25	4.94	1.50	1.69	1.69	BBG
65	243	178	137	38	48	46	F-07	2 1/2	9.57	7.01	5.39	1.50	1.89	1.81	BAC
80	263.5	190.5	145.5	38	48	46	F-07	3	10.37	7.50	5.73	1.50	1.89	1.81	BAC
100	303.5	245	170.5	38	54	52	F-07	4	11.95	9.65	6.71	1.50	2.13	2.05	BAC
125	346	279.8	185	38	57	56	F-07	5	13.62	11.02	7.28	1.50	2.24	2.20	BAD
150	381.5	298	203.5	38	57	56	F-07	6	15.02	11.73	8.01	1.50	2.24	2.20	BAD
200	443	343	239	38	63.5	60	F-12	8	17.44	13.50	9.41	1.50	2.50	2.36	CAE



HANDLE DIMENSIONS					
(METRIC; MM)			(IMPERIAL; INCHES)		
ADAPT. CODE	E	F	ADAPT. CODE	E	F
BBG	38.1	266.7	BBG	1.50	10.50
BAC	38.1	266.7	BAC	1.50	10.50
BAD	38.1	266.7	BAD	1.50	10.50
CAE	38.1	355.6	CAE	1.50	14.00

NOTES:

1. REFER TO INDIVIDUAL SMD DRAWINGS FOR FURTHER DETAILS OF VALVE, HANDLE AND ADAPTABILITY CODES.

* 2. MINIMUM CLEARANCE REQUIRED FOR COMPONENT REMOVAL.

GRINNELL FLOW CONTROL						HIGH PERFORMANCE ANSI CLASS 150 BUTTERFLY VALVE WITH HANDLE (LUGGED)					
						SM1031					
2	5899	ERW	2/23/00	KLS	2/00	SHEET 1 OF 1					
NO	ECN	DRAWN	DATE	CHECK	DATE						