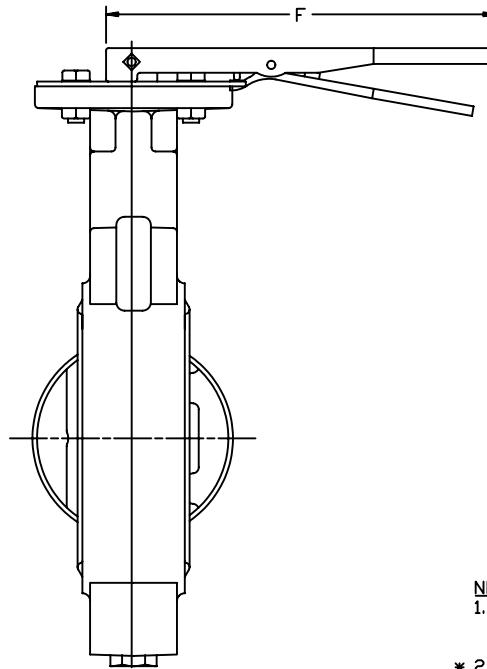
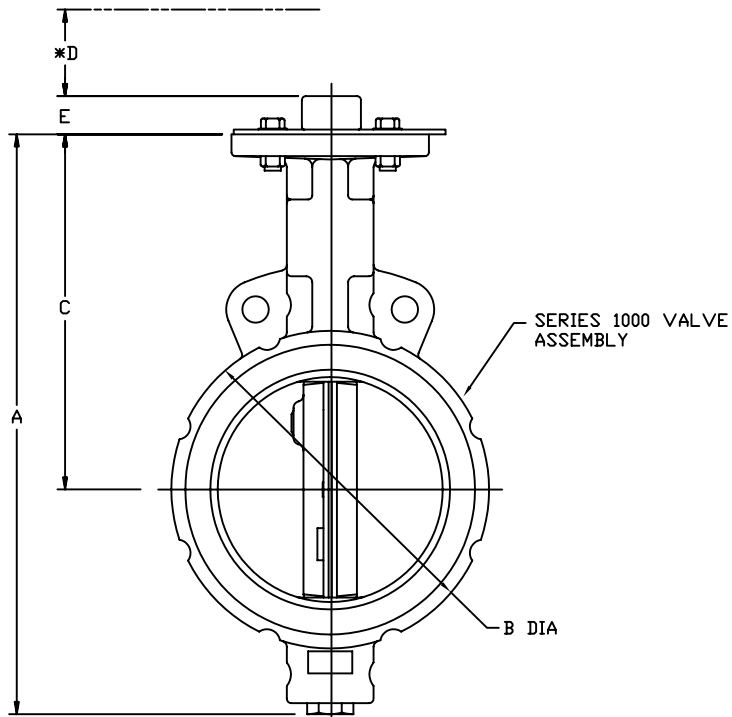


VALVE DIMENSIONS															ADAPT. CODE
(IMPERIAL: INCHES)							(METRIC: MM)								
SIZE	A	B	C	D	E	F	SIZE	A	B	C	D	E	F		
2	8.5	4.13	5.31	1.5	1.5	10.5	50	216	105	135	38	38	267	BAB	
2-1/2	9.29	4.65	5.91	1.5	1.5	10.5	65	236	118	150	38	38	267	BAB	
3	10.04	5.83	6.3	1.5	1.5	10.5	80	255	148	160	38	38	267	BAB	
4	11.34	6.38	7.09	1.5	1.5	10.5	100	288	162	180	38	38	267	BAC	
5	12.8	7.41	7.68	1.5	1.5	10.5	125	325	188	195	38	38	267	BAD	
6	13.94	8.58	8.27	1.5	1.5	10.5	150	354	218	210	38	38	267	BAD	
8	16.42	10.67	9.45	1.5	1.5	14	200	417	271	240	38	38	356	CAE	



**NOTES:**

- REFER TO INDIVIDUAL SMD DRAWINGS FOR FURTHER DETAILS OF VALVE, ACTUATOR AND ADAPTABILITY CODES.
- \* 2. MINIMUM CLEARANCE REQUIRED FOR COVER OR COMPONENT REMOVAL.

**Grinnell**  
FOUNDED 1850

1	5379	ERW	10/21/98	JS	10/98
NO	ECN	DRAWN	DATE	CHECK	DATE

GRINNELL SERIES 1000 WAFER STYLE VALVE ASSEMBLY WITH HANDLE

**SM1175**

SHEET 1 OF 1