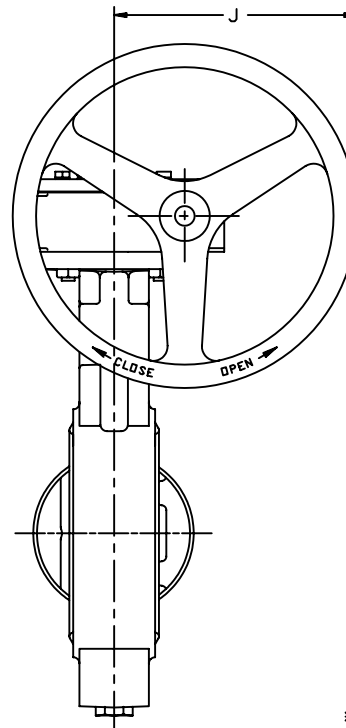


VALVE DIMENSIONS																	ADAPT. CODE	
(IMPERIAL: INCHES)								(METRIC: MM)										
SIZE	A	B	C	D	E	F	H	J	SIZE	A	B	C	D	E	F	H	J	
2	8.5	4.13	5.31	1.5	4.1	7.13	6	4.77	50	216	105	135	38	104	181	152	121	BAB
2-1/2	9.29	4.65	5.91	1.5	4.1	7.13	6	4.77	65	236	118	150	38	104	181	152	121	BAB
3	10.04	5.83	6.3	1.5	4.1	7.13	6	4.77	80	255	148	160	38	104	181	152	121	BAB
4	11.34	6.38	7.09	1.5	4.1	7.13	6	4.77	100	288	162	180	38	104	181	152	121	BAC
5	12.8	7.41	7.68	1.5	4.1	7.13	6	4.77	125	325	188	195	38	104	181	152	121	BAD
6	13.94	8.58	8.27	1.5	4.1	7.13	6	4.77	150	354	218	210	38	104	181	152	121	BAD
8	16.42	10.67	9.45	1.5	7.34	12.88	12	8.6	200	417	271	240	38	186	327	305	218	CAE
10	19.02	13	10.83	2.25	7.34	12.88	12	8.6	250	483	330	275	57	186	327	305	218	CAF
12	21.61	14.81	12.2	2.25	7.34	12.88	12	8.6	300	549	376	310	57	186	327	305	218	CAF



**NOTES:**

1. REFER TO INDIVIDUAL SMO DRAWINGS FOR FURTHER DETAILS OF VALVE, OPERATOR AND ADAPTABILITY CODES.
- \* 2. MINIMUM CLEARANCE REQUIRED FOR COVER OR COMPONENT REMOVAL.
3. 2'-6" IS A 24:1 RATIO GEAR OPERATOR.
4. 8'-12" IS A 30:1 RATIO GEAR OPERATOR.

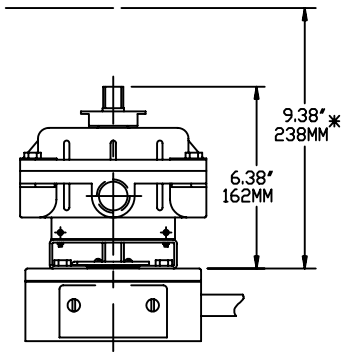


**Grinnell**

GRINNELL SERIES 1000 WAFER STYLE VALVE ASSY WITH GEAR OPERATOR AND OPTIONAL SWITCHBOX

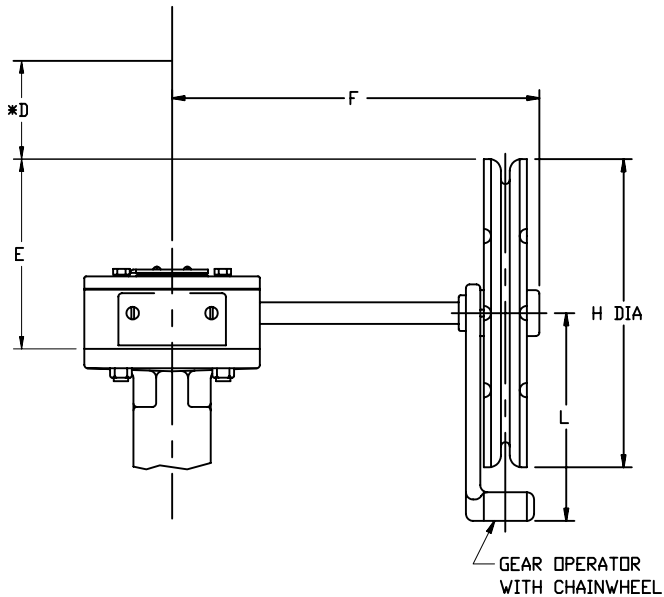
SM1176

1	5379	ERW	10/21/98	JS	10/98
NO	ECN	DRAWN	DATE	CHECK	DATE

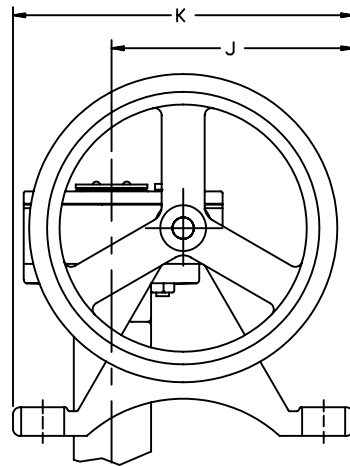


TYPE "A" SWITCHBOX  
MOUNTED ON GEAR OPERATOR

OPTIONAL



GEAR OPERATOR  
WITH CHAINWHEEL



GEAR OPERATOR DIMENSIONS WITH CHAINWHEEL (IMPERIAL: INCHES)							GEAR OPERATOR DIMENSIONS WITH CHAINWHEEL (METRIC: MM)						
SIZE	E	F	H	J	K	L	E	F	H	J	K	L	ADAPT. CODE
423 (24:1)	4.6	7.06	7	5.52	7.5	4.5	117	179	178	140	191	114	BAB BAC BAD
420 (30:1)	6.74	12.56	10.81	6.1	7	7.25	171	319	275	155	178	184	CAD CAE CAF



**Grinnell**

GRINNELL SERIES 1000 WAFER STYLE  
VALVE ASSY WITH GEAR OPERATOR  
AND OPTIONAL SWITCHBOX

SM1176

1	5379	ERW	10/21/98	JS	10/98
NO	ECN	DRAWN	DATE	CHECK	DATE