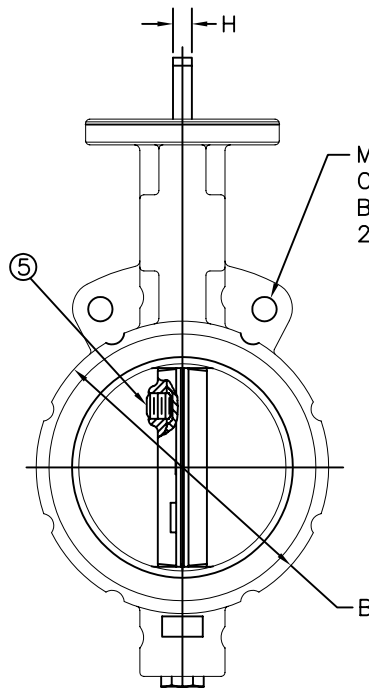
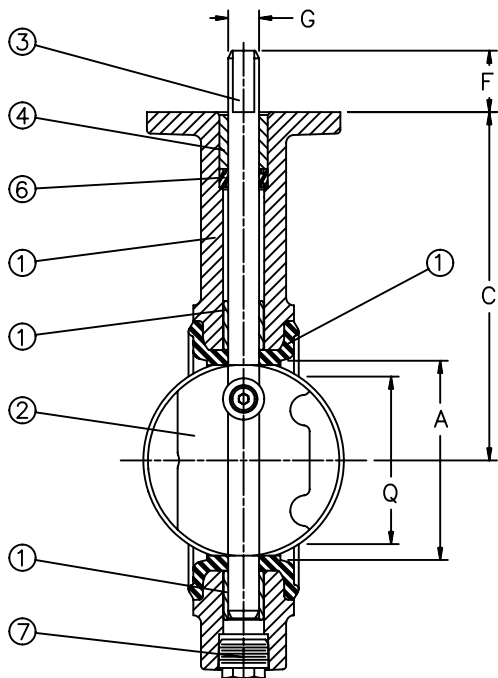


10" (250mm) AND  
12" (300mm) SIZES ONLY



VALVE DIMENSIONS (IMPERIAL: INCHES)											TOP PLATE DRILLING				FLANGE DRILLING-ANSI B16.5 CLASS 150		
SIZE	A	B	C	D	Q	E	F	G	H	KEY	BOLT CIRCLE	NO. HOLES	HOLE DIA.	WEIGHT LBS	ADAPT. CODE	THRU DRILL "M"	BOLT CIRCLE "N"
2	2.06	4.13	5.31	1.69	1.38	4	1.25	.56	.38	N/A	3.25	4	.44	7.67	BAB	.750 IN	4.750 IN
2-1/2	2.56	4.63	5.91	1.81	2	4	1.25	.56	.38	N/A	3.25	4	.44	8.78	BAB	.750 IN	5.500 IN
3	3.06	5.19	6.3	1.81	2.63	4	1.25	.56	.38	N/A	3.25	4	.44	10.16	BAB	.750 IN	6.000 IN
4	4.06	6.38	7.09	2.06	3.69	4	1.25	.63	.44	N/A	3.25	4	.44	16.87	BAC	.750 IN	7.500 IN
5	5.06	7.38	7.68	2.25	4.75	4	1.25	.75	.50	N/A	3.25	4	.44	19.91	BAD	.875 IN	8.500 IN
6	5.81	8.50	8.27	2.25	5.56	4	1.25	.75	.50	N/A	3.25	4	.44	25.26	BAD	.875 IN	9.500 IN
8	7.81	10.69	9.45	2.38	7.75	6	1.25	.88	.63	N/A	5	4	.56	40.50	CAE	.875 IN	11.750 IN
10	9.81	13	10.83	2.69	9.75	6	2	1.12	N/A	.25x.25	5	4	.56	61.07	CAF	1.000 IN	14.250 IN
12	11.81	14.81	12.2	3.13	11.75	6	2	1.12	N/A	.25x.25	5	4	.56	82.73	CAF	1.000 IN	17.000 IN

VALVE DIMENSIONS (METRIC: MM)											TOP PLATE DRILLING				FLANGE DRILLING-ANSI B16.5 CLASS 150		
SIZE	A	B	C	D	Q	E	F	G	H	KEY	BOLT CIRCLE	NO. HOLES	HOLE DIA.	WEIGHT KG	ADAPT. CODE	THRU DRILL "M"	BOLT CIRCLE "N"
50	52	105	135	43	34	102	32	14.27	9.53	N/A	82.5	4	11.1	3.47	BAB	.750 IN	4.750 IN
65	64	118	150	46	50	102	32	14.27	9.53	N/A	82.5	4	11.1	3.97	BAB	.750 IN	5.500 IN
80	77	132	160	46	67	102	32	14.27	9.53	N/A	82.5	4	11.1	4.60	BAB	.750 IN	6.000 IN
100	103	162	180	52	93	102	32	15.88	11.10	N/A	82.5	4	11.1	7.65	BAC	.750 IN	7.500 IN
125	128	188	195	56	120	102	32	19.05	12.70	N/A	82.5	4	11.1	9.03	BAD	.875 IN	8.500 IN
150	147	218	210	56	141	102	32	19.05	12.70	N/A	82.5	4	11.1	11.45	BAD	.875 IN	9.500 IN
200	198	271	240	60	196	152	32	22.23	15.88	N/A	127	4	14.3	18.36	CAF	1.000 IN	11.750 IN
250	249	330	275	68	247	152	51	28.58	N/A	6.35	127	4	14.3	27.70	CAF	1.000 IN	14.250 IN
300	300	376	310	78	297	152	51	28.58	N/A	6.35	127	4	14.3	37.51	CAF	1.000 IN	17.000 IN

PARTS LIST				
ITEM NO.	NAME	NO. REQ'D.	PART NO. & FIG. NO.	REMARKS
1	BODY	1	203-221	
	SEAT			
	BEARING			
2	DISC	1	204-001	
3	STEM	1	205.222	
4	BUSHING	1	207-100	
5	PLUG	1	922-001	
6	PACKING	1	928-100	
7	PLUG	1	940-736	
8	KEY	1	913-735	10" (250mm) AND 12" (300mm) SIZE ONLY

**NOTES:**

1. THE VALVE BETWEEN FLANGES IS RATED AT 250 PSI 16 BAR PRESSURE DIFFERENTIAL IN THE CLOSED POSITION.
2. BODY IS WAFER TYPE.
3. SEAT AND BEARINGS ARE INTEGRAL WITH BODY.
4. "Q" DIMENSION IS THE MINIMUM ALLOWABLE PIPE OR FLANGE INSIDE DIAMETER AT THE CENTERED BODY FACE TO PROTECT THE DISK SEALING EDGE AGAINST DAMAGE WHEN OPENING THE VALVE.



**Grinnell**

VALVE ASSEMBLY  
GRINNELL SERIES 1000  
WAFER STYLE

SM1164

2	5379	ERW	10/21/98	JS	10/98
NO	ECN	DRAWN	DATE	CHECK	DATE