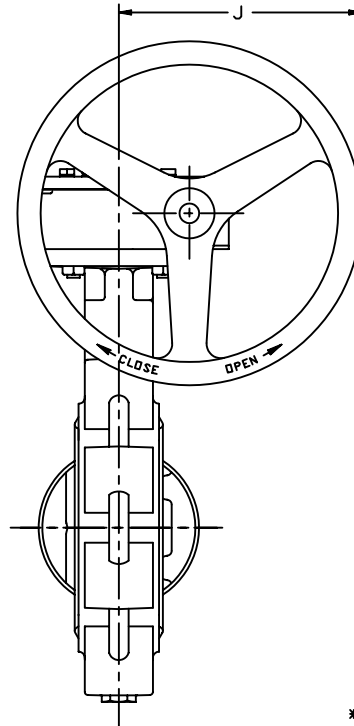


VALVE DIMENSIONS														ADAPT. CODE				
(IMPERIAL: INCHES)							(METRIC: MM)											
SIZE	A	B	C	D	E	F	H	J	SIZE	A	B	C	D	E	F	H	J	
2	8.5	6.03	5.31	1.5	4.1	7.13	6	4.77	50	216	153	135	38	104	181	152	121	BAB
2-1/2	9.29	6.78	5.91	1.5	4.1	7.13	6	4.77	65	236	172	150	38	104	181	152	121	BAB
3	10.04	7.24	6.3	1.5	4.1	7.13	6	4.77	80	255	184	160	38	104	181	152	121	BAB
4	11.34	8.78	7.09	1.5	4.1	7.13	6	4.77	100	288	223	180	38	104	181	152	121	BAC
5	12.8	10	7.68	1.5	4.1	7.13	6	4.77	125	325	254	195	38	104	181	152	121	BAD
6	13.94	10.98	8.27	1.5	4.1	7.13	6	4.77	150	354	279	210	38	104	181	152	121	BAD
8	16.42	13.23	9.45	1.5	7.34	12.88	12	8.6	200	417	336	240	38	186	327	305	218	CAE
10	19.02	15.98	10.83	2.25	7.34	12.88	12	8.6	250	483	406	275	57	186	327	305	218	CAF
12	21.61	18.74	12.2	2.25	7.34	12.88	12	8.6	300	549	476	310	57	186	327	305	218	CAF



- NOTES:**
1. REFER TO INDIVIDUAL SMD DRAWINGS FOR FURTHER DETAILS OF VALVE, OPERATOR AND ADAPTABILITY CODES.
 - * 2. MINIMUM CLEARANCE REQUIRED FOR COVER OR COMPONENT REMOVAL.
 3. 2'-6" IS A 24:1 RATIO GEAR OPERATOR.
 4. 8'-12" IS A 30:1 RATIO GEAR OPERATOR.

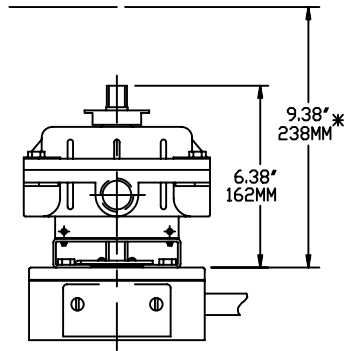
Grinnell
FOUNDED 1850

1	5379	ERW	10/21/98	JS	10/98
NO	ECN	DRAWN	DATE	CHECK	DATE

GRINNELL SERIES 1000 LUGGED STYLE VALVE ASSY WITH GEAR OPERATOR AND OPTIONAL SWITCHBOX

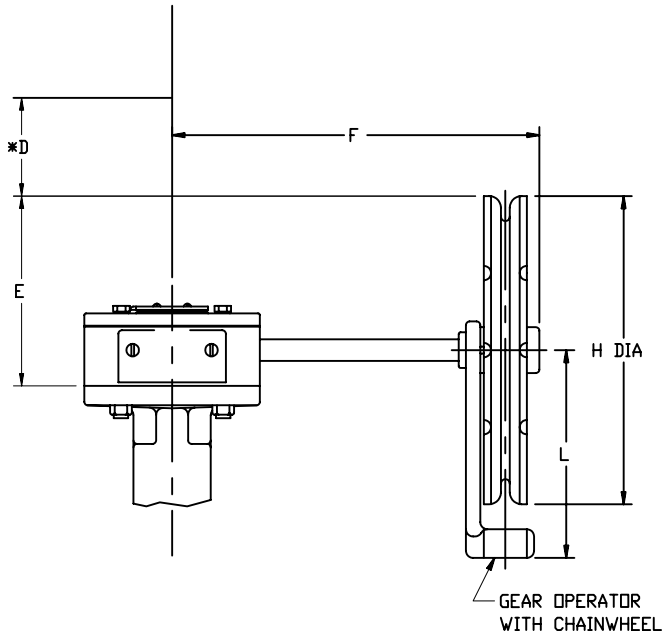
SM1169

SHEET 1 OF 2

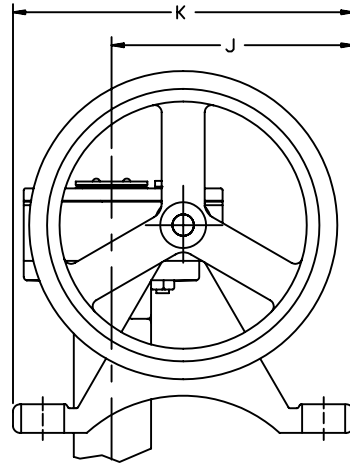


TYPE 'A' SWITCHBOX
MOUNTED ON GEAR OPERATOR

OPTIONAL



GEAR OPERATOR
WITH CHAINWHEEL



GEAR OPERATOR DIMENSIONS WITH CHAINWHEEL (IMPERIAL: INCHES)							GEAR OPERATOR DIMENSIONS WITH CHAINWHEEL (METRIC: MM)						
SIZE	E	F	H	J	K	L	E	F	H	J	K	L	ADAPT. CODE
423 (24:1)	4.6	7.06	7	5.52	7.5	4.5	117	179	178	140	191	114	BAB BAC BAD
420 (30:1)	6.74	12.56	10.81	6.1	7	7.25	171	319	275	155	178	184	CAD CAE CAF



Grinnell

GRINNELL SERIES 1000 LUGGED STYLE
VALVE ASSY WITH GEAR OPERATOR
AND OPTIONAL SWITCHBOX

SM1169

1	5379	ERW	10/21/98	JS	10/98
NO	ECN	DRAWN	DATE	CHECK	DATE